

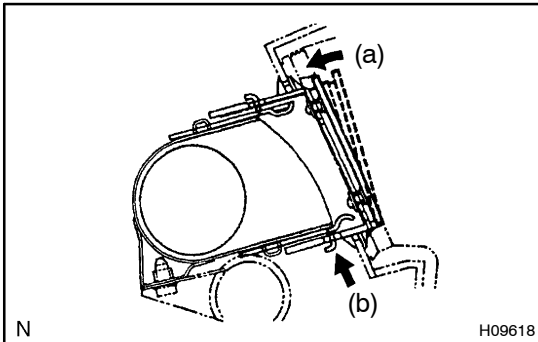
INSTALLATION

NOTICE:

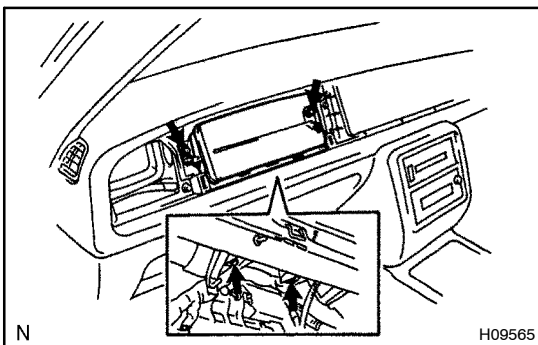
Never use airbag parts from another vehicle. When replacing parts, replace them with new parts.

HINT:

For step 2 to 5, refer to page BO-105.



1. **INSTALL FRONT PASSENGER AIRBAG ASSEMBLY**
 - (a) Install the front passenger airbag assembly then attach the lower hook and push it away.
 - (b) Slide the front passenger airbag assembly upward and attach the upper hook.



- (c) Install the 2 bolts to hold the front passenger airbag assembly and instrument panel reinforcement.
Torque: 20 N·m (205 kgf·cm, 15 ft·lbf)
- (d) Install the 2 bolts to hold the front passenger airbag assembly and instrument panel.
Torque: 7.5 N·m (76 kgf·cm, 66 ft·lbf)

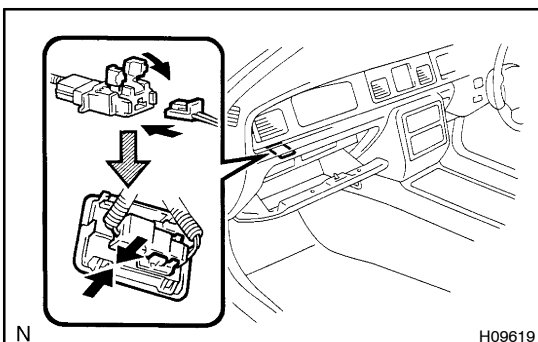
CAUTION:

Make sure that no foreign objects are trapped between the airbag bag and the module.

NOTICE:

If the front passenger airbag assembly has been dropped, or there are cracks, dents or other defects in the case or connector, replace the front passenger airbag assembly with a new one.

2. **INSTALL CLUSTER FINISH PANEL ASSEMBLY**
3. **INSTALL DISC PLAYER ASSEMBLY**
4. **INSTALL GLOVE COMPARTMENT DOOR ASSEMBLY**
5. **INSTALL NO.2 UNDER COVER**



6. **CONNECT AIRBAG CONNECTOR**
 - (a) Connect the airbag connector.
 - (b) Put the connector on the glove compartment door finish plate.
 - (c) Install the glove compartment door finish plate to the glove compartment door assembly.