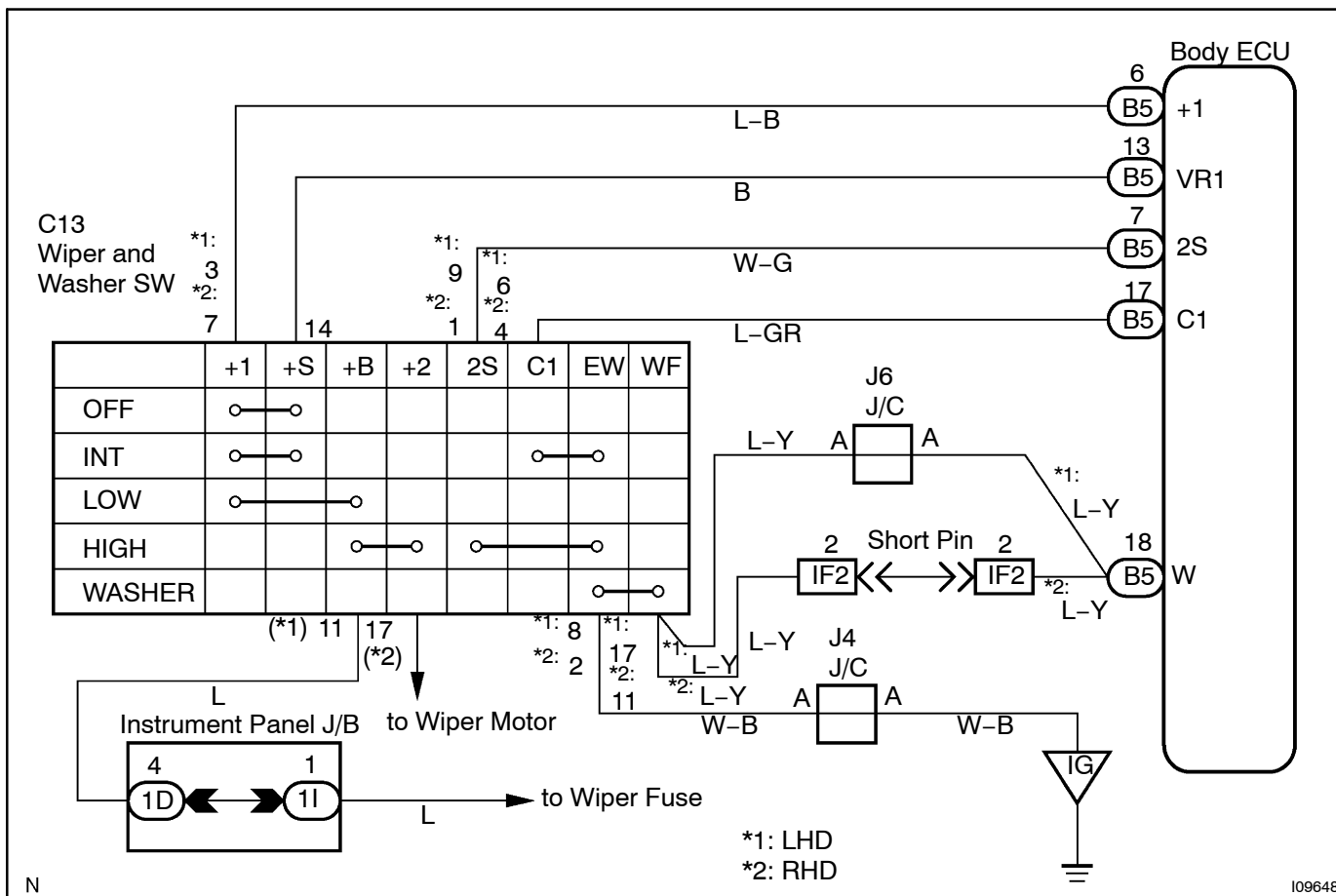


# Wiper and washer switch circuit

## CIRCUIT DESCRIPTION

Body ECU judges the switch position with the terminal voltage of the wiper and washer switch and runs the wiper motor.

## WIRING DIAGRAM



## INSPECTION PROCEDURE

### HINT:

In case of using the hand-held tester, start the inspection from step 1 and in case of not using the hand-held tester, start from step 2.

**1** Check wiper and washer switch using hand-held tester.

### PREPARATION:

Connect the hand-held tester to the DLC3.

### CHECK:

Check the wiper and washer switch using DATA LIST.

### OK:

Wiper Switch

Terminal Switch position	2S	C1	+1
OFF	OFF	OFF	ON
INT, AUTO	OFF	ON	ON
LO	OFF	OFF	OFF
HI	ON	OFF	ON

Washer Switch

Switch condition	Switch
Pressing	ON
Not pressing	OFF

OK

Proceed to next circuit inspection shown on problem symptoms table. (See page DI-488)

NG

**2** Check wiper and washer switch (See page BE-50)

NG

Replace the wiper and washer switch.

OK

3 Check wireharness and connector between wiper and washer switch and Body ECU (See page IN-30).

NG

Repair or replace wireharness or connector.

OK

Proceed to next circuit inspection shown on problem symptoms table (See page DI-488).