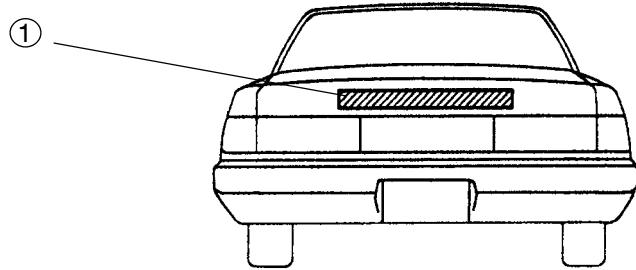
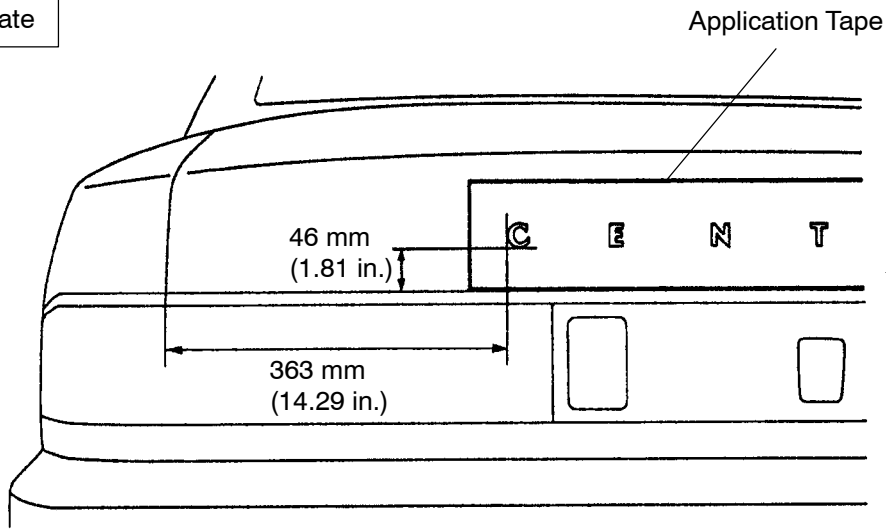


NAME PLATE COMPONENTS

BO2AW-01



① Name Plate



T

H10123