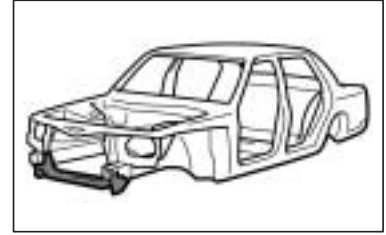
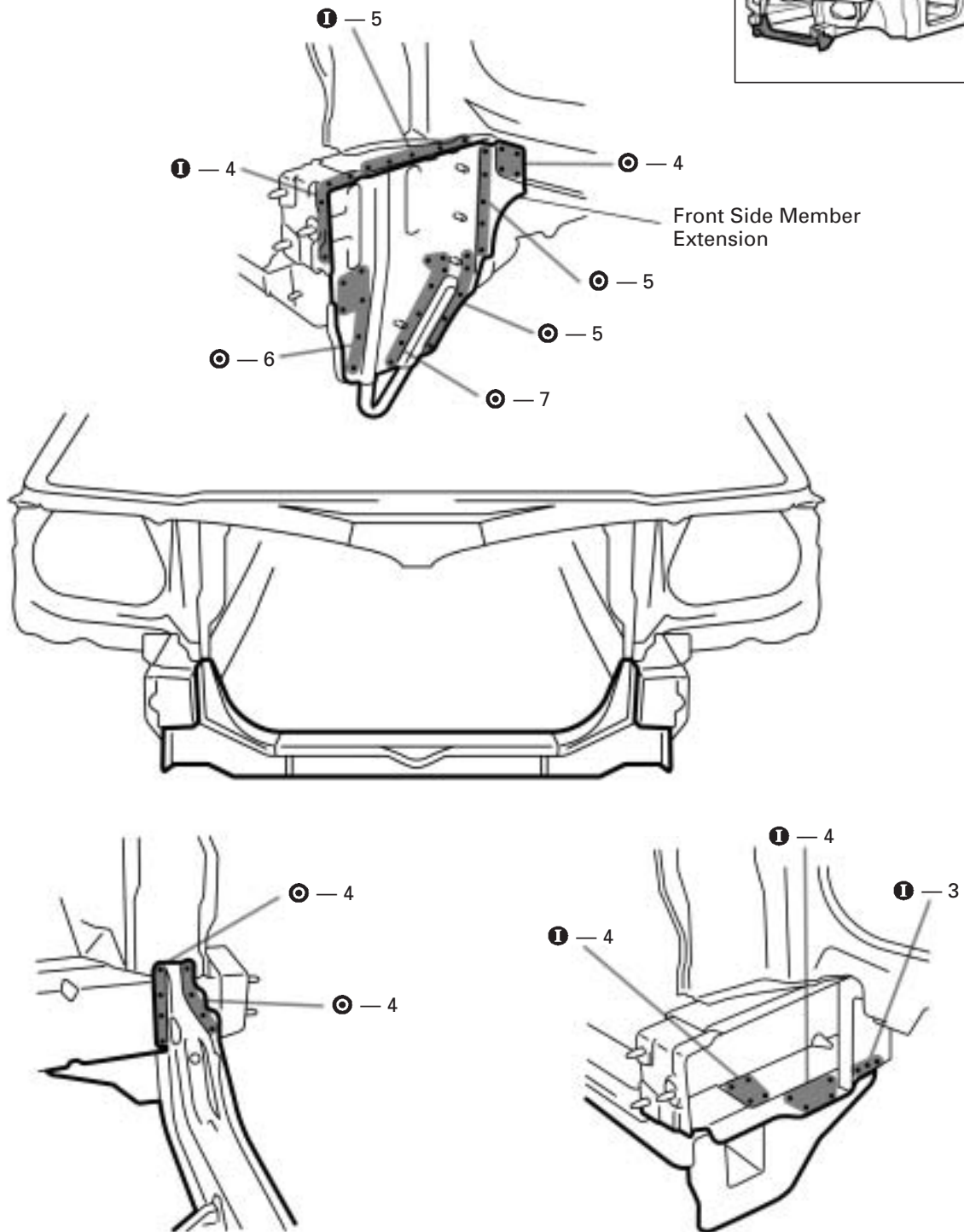


FRONT CROSSMEMBER (ASSY)

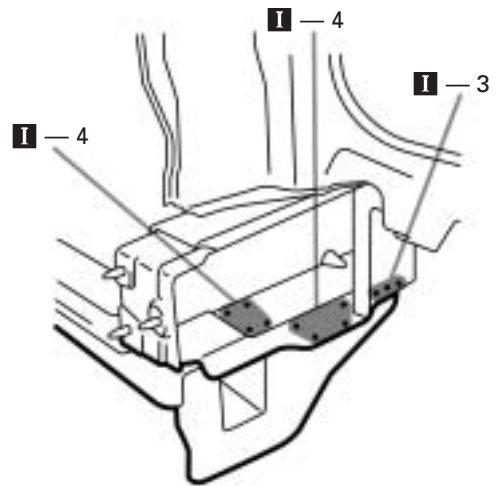
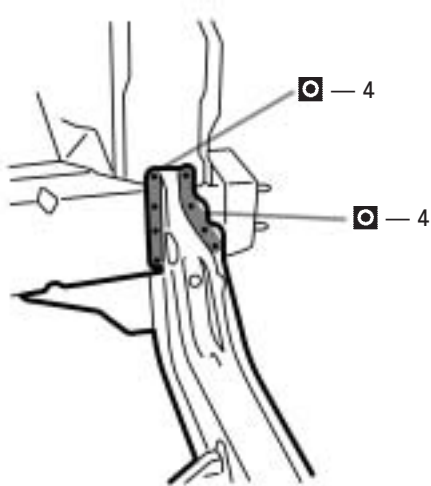
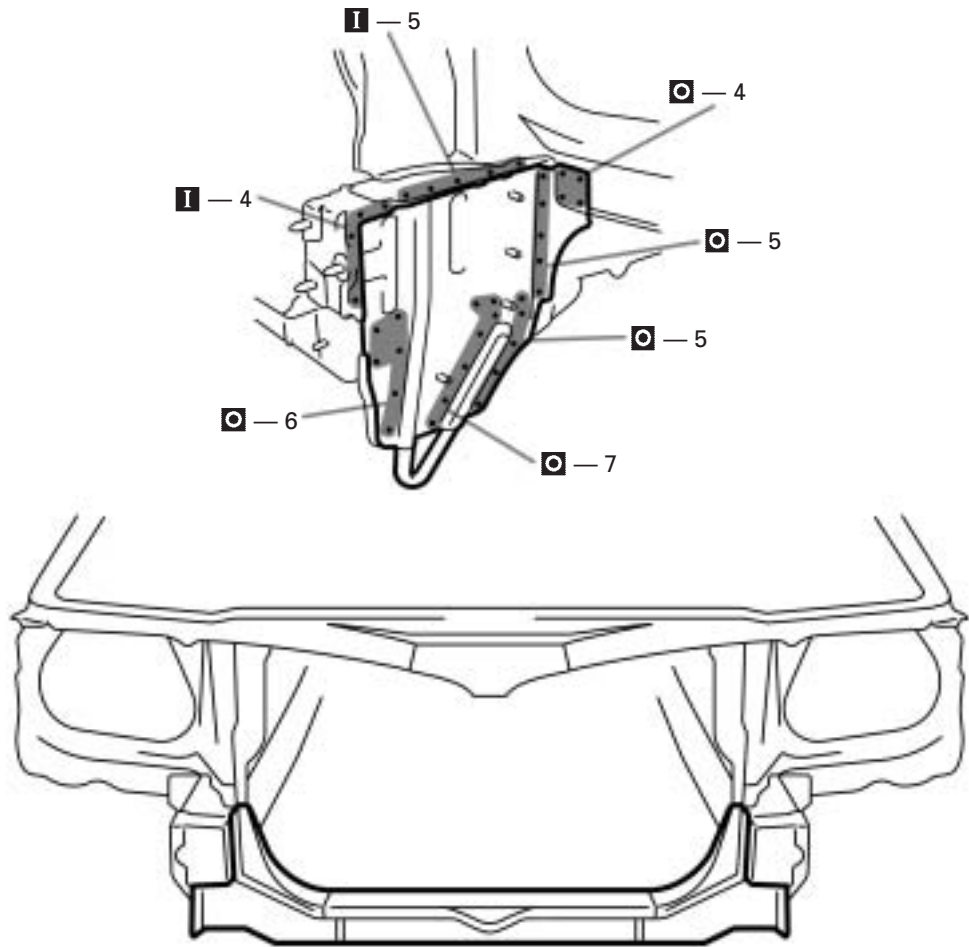


REMOVAL



1. After removing the front side member extension, remove the front crossmember.

INSTALLATION



1. Temporarily install the new parts and measure each part in accordance with the body dimension diagram.