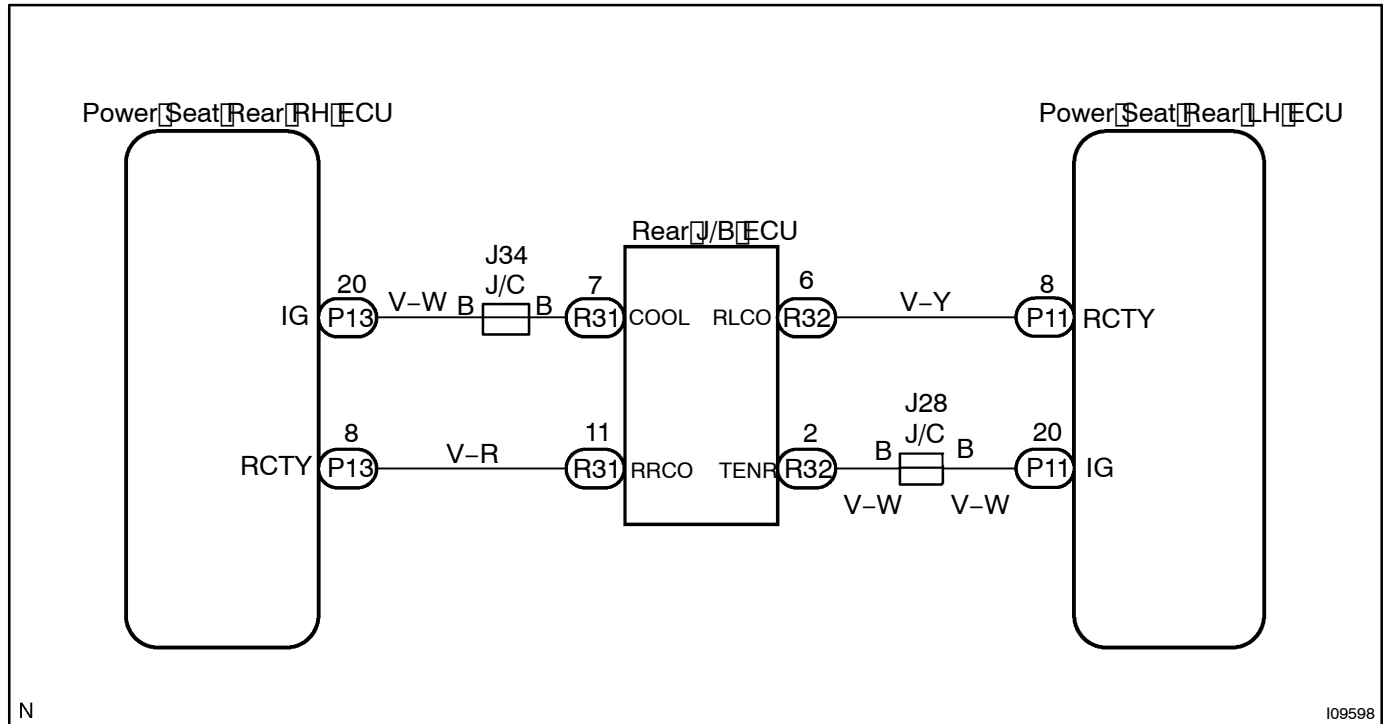


Rear power seat ECU

WIRING DIAGRAM



INSPECTION PROCEDURE

- 1 Check rear power seat system (See page DI-380).

NG

Check the RDA line.

OK

2 Check wireharness

PREPARATION:

Disconnect connectors of rear power seat ECU and of rear J/B ECU.

CHECK:

Check continuity between terminal RCTY of rear power seat ECU and RRCO, RLCO of rear J/B ECU.

OK:

Continuity

NG

Repair or replace wireharness

OK

3 Check the rear power seat ECU

CHECK:

Replace the rear power seat ECU and check if it recovers normally.

OK:

Must be recovered normally.

NG

Proceed to next circuit inspection shown on problem symptoms table (See page DI-665).

OK

Failure of the original rear power seat ECU
(See page N-30).