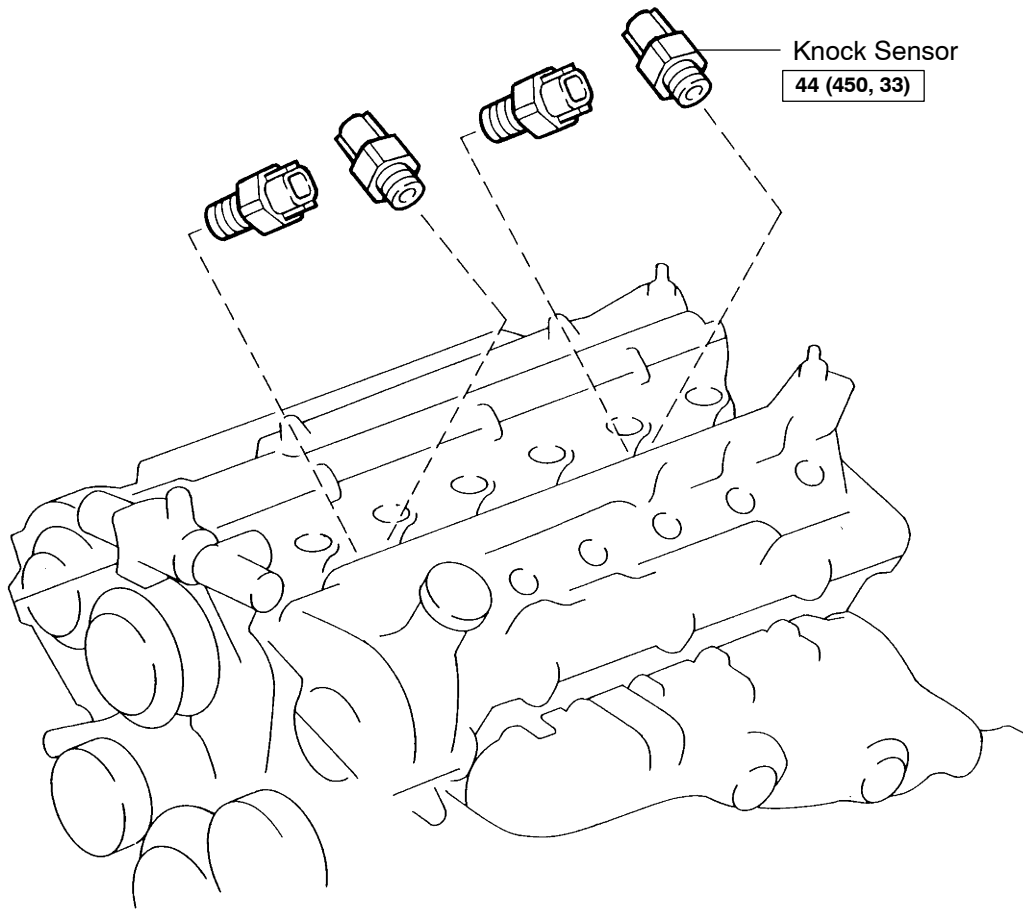


KNOCK SENSOR COMPONENTS

SF110-01



N·m (kgf·cm, ft·lbf) : Specified torque

N

A08098