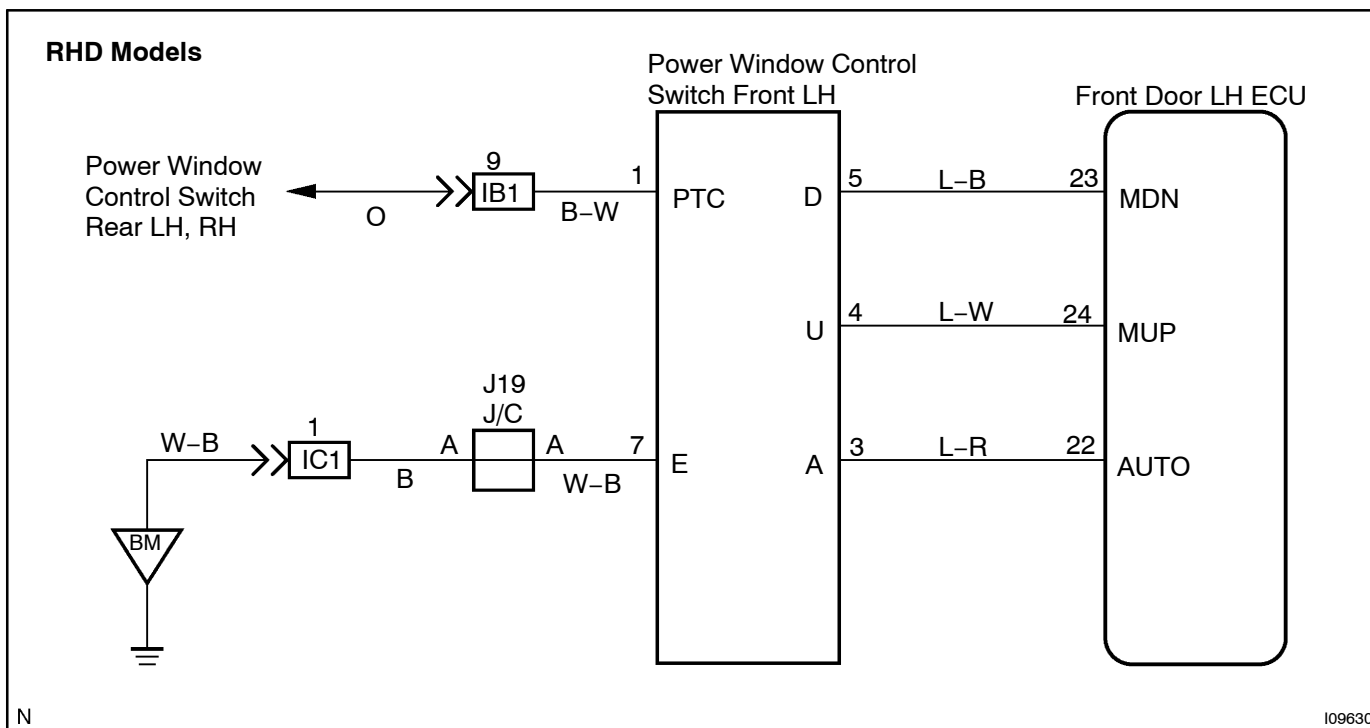
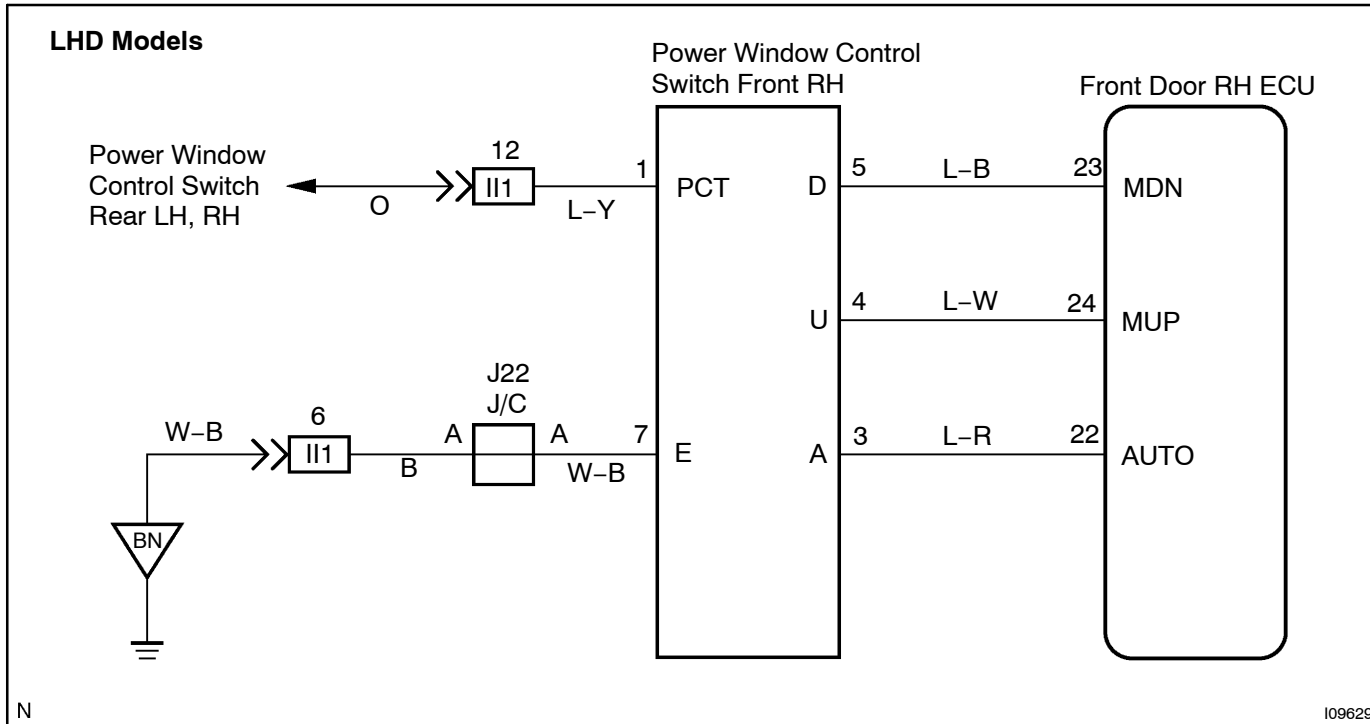


# Power window switch circuit

## CIRCUIT DESCRIPTION

Power window switch circuit can be checked using DTC check. (Refer to DI-733)

## WIRING DIAGRAM



## INSPECTION PROCEDURE

1 Check the power window switch circuit using DTC check. (See page DI-733)

OK

Proceed to next circuit inspection shown on problem symptoms table (See page DI-584).

OK

2 Check the power window switch (See page BE-87).

NG

Replace the power window switch.

OK

3 Check wireharness and connector between power window switch and passenger door ECU (See page IN-30).

NG

Repair or replace wireharness or connector.

OK

4 Check wireharness and connector between power window switch and power window master switch (See page IN-30).

NG

Repair or replace wireharness or connector.

OK

Proceed to next circuit inspection shown on problem symptoms table (See page DI-584).