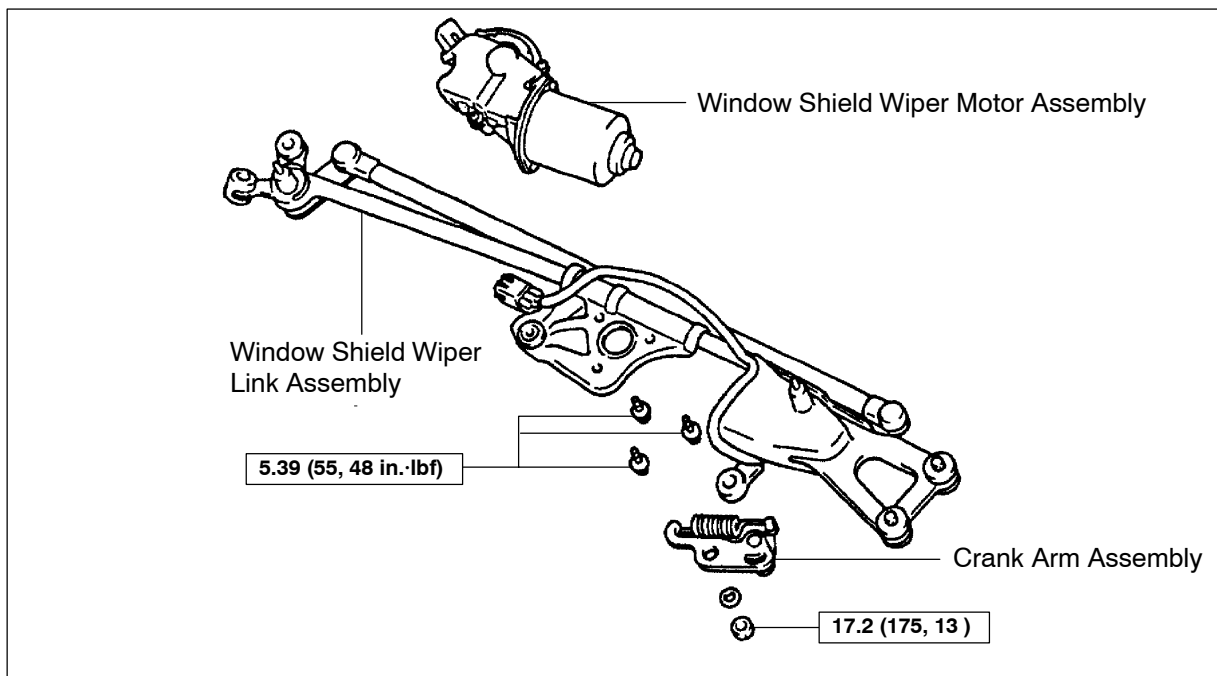
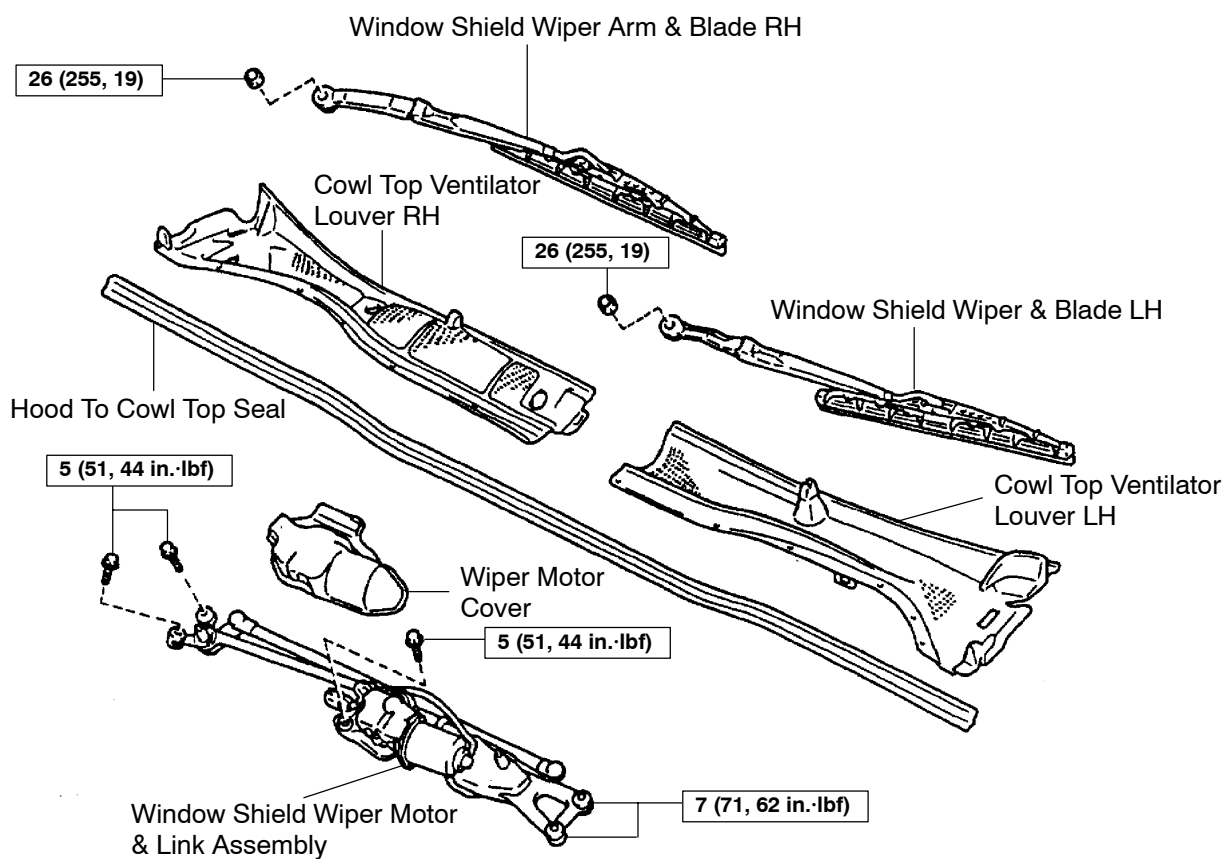


# COMPONENTS



N·m (kgf·cm, ft·lbf) : Specified torque

P

109688