

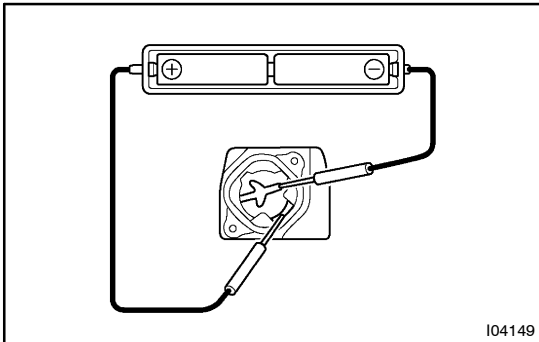
INSPECTION

1. INSPECT WIRELESS DOOR LOCK TRANSMITTER OPERATION

HINT:

Refer to "Wireless door lock control transmitter battery replacement" on page BE-104.

- (a) Using a screwdriver, remove the screw and cover.
- (b) Remove the battery (lithium battery).



- (c) Install a new or normal battery (lithium battery).

HINT:

When a new or normal battery can not be obtained, connect 2 new 1.5 V batteries in series, connect the battery (+) to the battery receptacle side terminal and battery (-) to the bottom terminal, then apply 3 V voltage to the transmitter.

- (d) In the location where is approx. 1 M away from driver's outside handle in the right direction, face the key plate of the transmitter to the vehicle, and check the transmitter operation when pressing transmission switch on the side of the transmitter body.

Standard:

- **Remote control of vehicle door lock can be operated.**
- **LED lights up more than once.**

HINT:

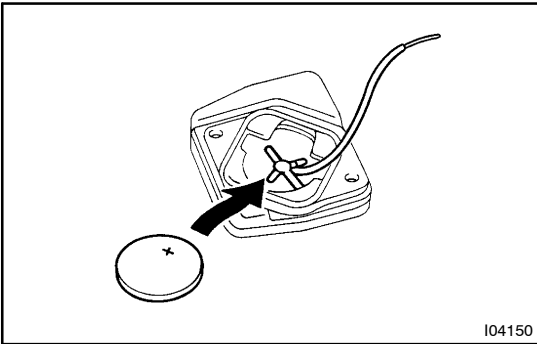
- The minimum operation distance differs according to operator, the way of holding the transmitter, and location.
- As weak wave is used, operation distance might be shortened when noise is detected in strong wave or used frequency.

- (e) Install the battery (lithium battery).
- (f) Install a cover so that O-ring is not distorted or slipped off.
- (g) Using a screwdriver, tighten the screw.

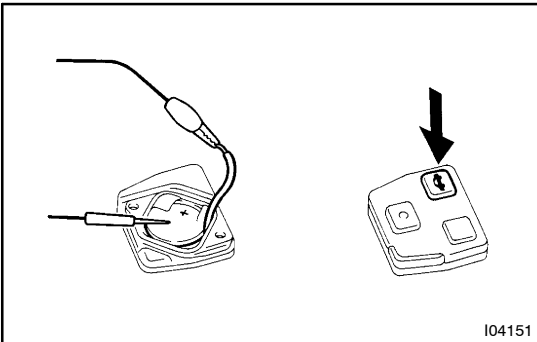
2. CHECK BATTERY CAPACITY

HINT:

- Make sure to use the TOYOTA electrical tester.
- With the battery unloaded, judge can not be made whether the battery is available or not on the test.
- When the transmitter is faulty, the energy amount left in the battery might not be checked correctly.
- On the lithium battery used for the transmitter, the voltage more than 2.5 V with the battery unloaded is shown on the tester until the energy is completely consumed. Accordingly when inspecting the energy amount left in the battery, it is necessary to measure the voltage when the battery is loaded. (1.2 k Ω).



- (a) Remove the screws and cover using a (-) driver.
- (b) Remove the battery (lithium battery) from the transmitter.
- (c) Connect the lead to the (-) terminal of the transmitter and install the battery.

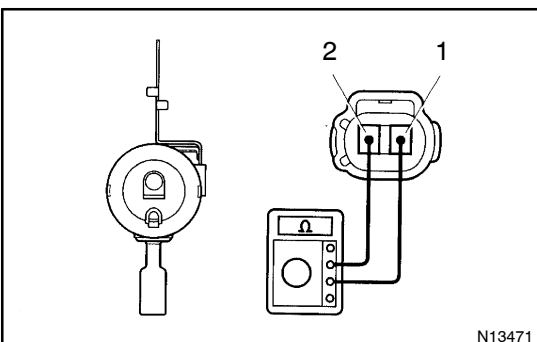


- (d) Connect the (+) tester to the (+) battery (lithium battery), and (-) tester to the lead respectively.
- (e) Press one of the transmitting switches on the transmitter for approx. 1 second.
- (f) Press the transmitting switch on the transmitter again to check the voltage.

Standard: 2.1 V or more

HINT:

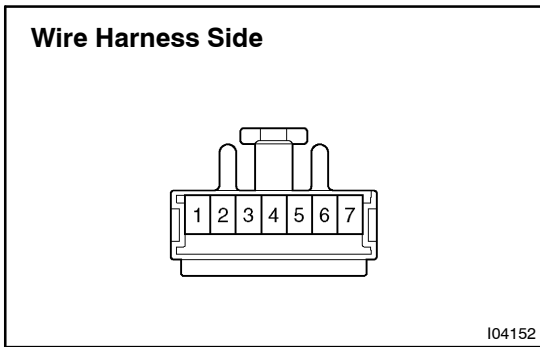
- When the temperature of the battery is low, the judge can not be made correctly.
When the outcome of the test is less than 2.1 V, conduct the test again after leaving the battery in the place at 18 °C for more than 30 minutes.
 - By auto power off function, the voltage becomes no load voltage (more than 2.5 V) condition 0.8 seconds after the switch was pressed.
Make sure to read the voltage before of it.
 - High voltage might be shown 1 to 2 times after leaving the battery, judge should be made with the voltage shown at the 3rd time or later.
- (g) Disconnect the lead.
 - (h) Set the battery (lithium battery) in the transmitter.
 - (i) Install the cover, so that the O-ring is not distorted or slipped off.
 - (j) Using a screwdriver, tighten the screws.



3. INSPECT WIRELESS DOOR LOCK BUZZER OPERATION

Connect the positive (+) lead from the ohmmeter to terminal 1 and the negative (-) lead to terminal 2, and measure resistance of approx. 1 kΩ.

If resistance is not as specified, replace the buzzer.



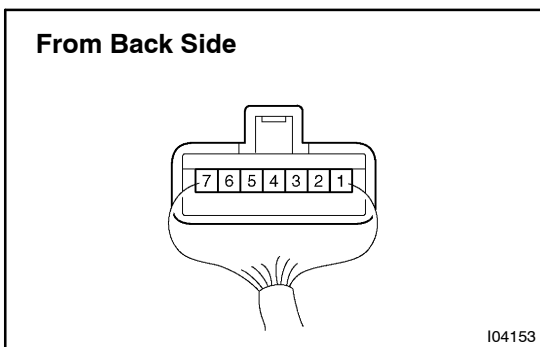
4. INSPECT WIRELESS DOOR LOCK CONTROL RECEIVER CIRCUIT

Connector disconnected:

Disconnect the connector from the receiver and inspect the connector on the wire harness side, as shown.

Tester connection	Condition	Specified condition
1 - Ground	Constant	Continuity
7 - Ground	Constant	Battery positive voltage

If the circuit is not as specified, inspect the circuits connected to other parts.

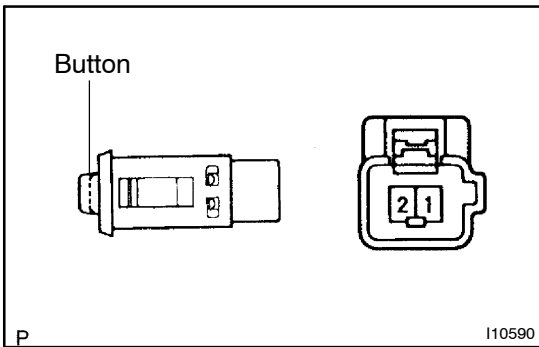


5. INSPECT WIRELESS DOOR LOCK CONTROL RECEIVER CIRCUIT

Connect the wire harness side connector to the receiver and inspect the wire harness side connector from the back side, as shown.

Tester connection	Condition	Specified condition
3 - Ground	Ignition switch position OFF Key removed Transmitter OFF → ON	4.5 - 5.5 V → below 1 V
3 - Ground	Ignition switch position OFF Key removed Transmitter OFF → ON	4.5 - 5.5 V → below 1 V
5 - Ground	Ignition switch position OFF Key removed Transmitter ON	10 - 14 V

If circuit is as specified, replace the receiver.
If the circuit is not as specified, inspect the circuits connected to other parts.



6. INSPECT WIRELESS DOOR LOCK CANCEL SWITCH CONTINUITY

Switch position	Tester connection	Specified condition
OFF (released)	1 - 2	No continuity
ON (pushed in)	1 - 2	Continuity

If continuity is not specified, replace the switch.