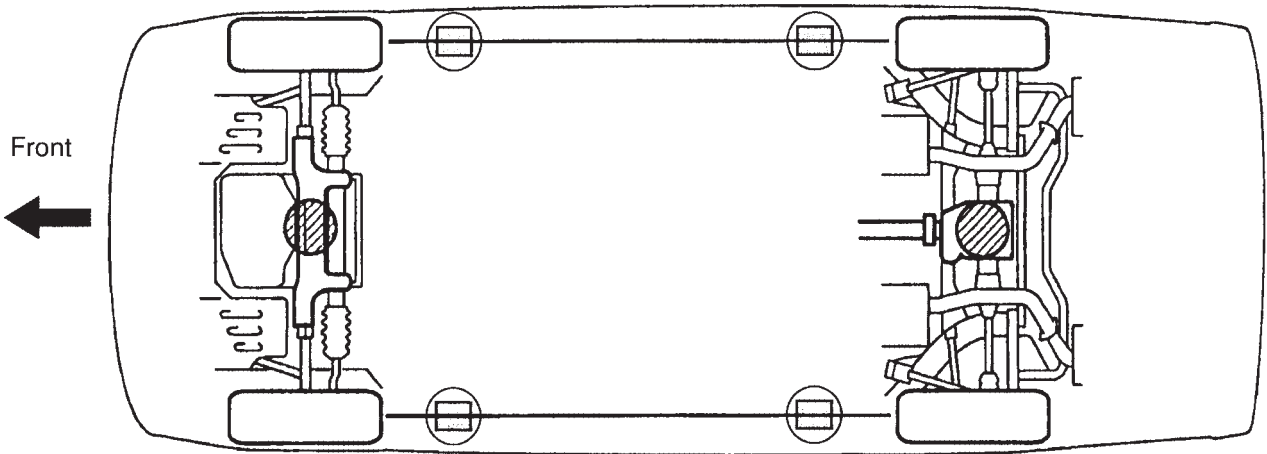
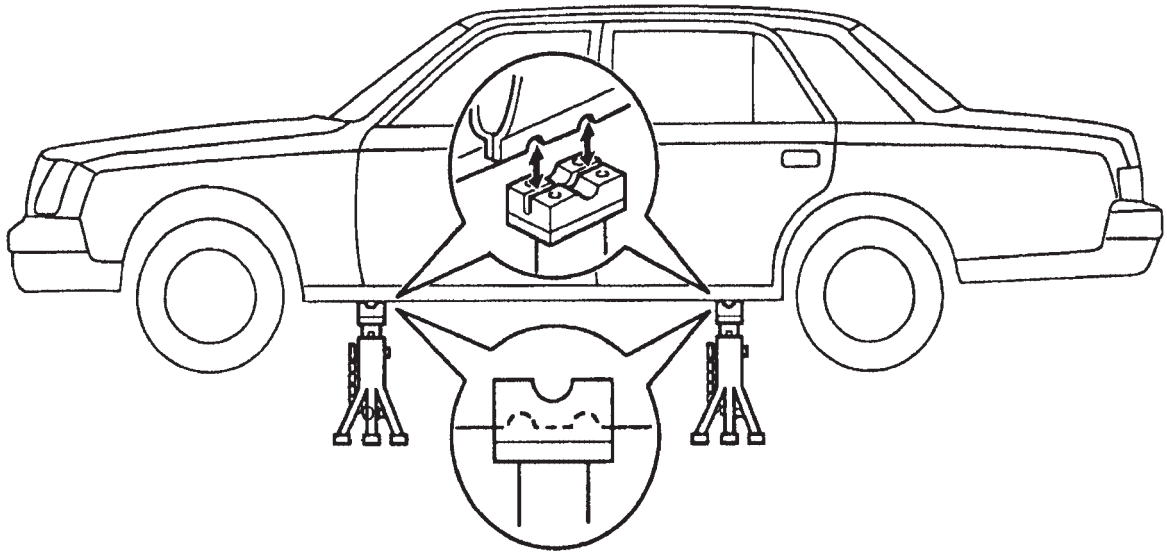
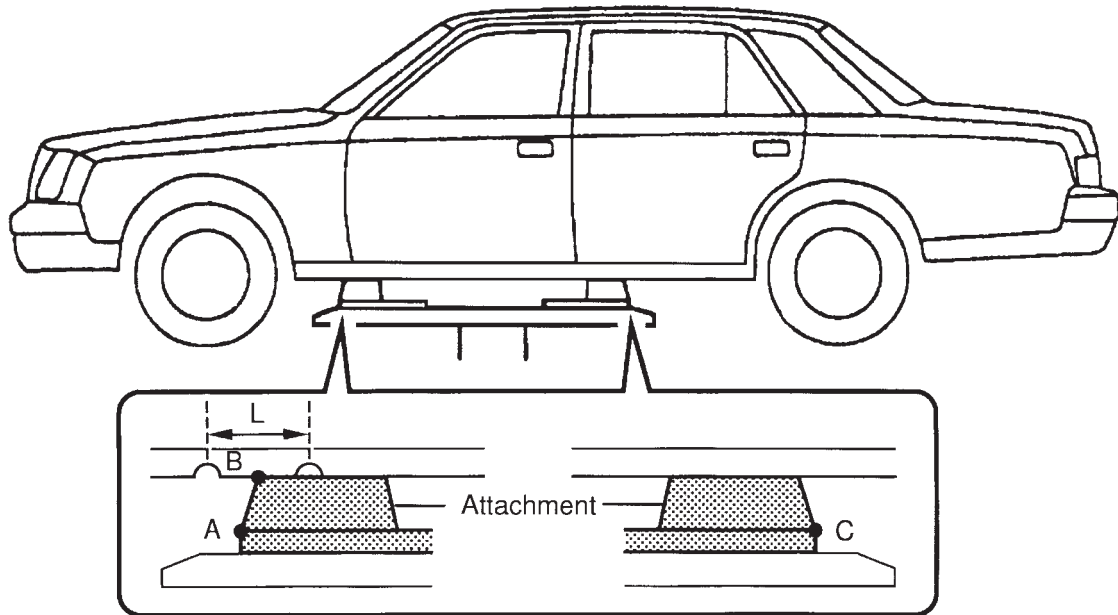


VEHICLE LIFT AND SUPPORT LOCATIONS



- JACK POSITION** ————— ● (shaded circle)
- Front ----- Front Crossmember
- Rear ----- Rear differential carrier
- CAUTION: Before jacking-up the front and rear, make sure the vehicle is not carrying an extra weight.**
- PANTOGRAPH JACK POSITION** ————— ○ (white circle)
- SUPPORT POSITION**
- Safety stand and swing arm type lift ----- ■ (shaded square)

Plate type lift:**HINT:**

Left and right set position

Place the vehicle over the center of the lift.

Front and rear set position

- Align the cushion gum ends of the plate with the attachment lower ends (A, C).
- Align the attachment upper end (B) with the front jack supporting point (L).

Attachment dimensions

