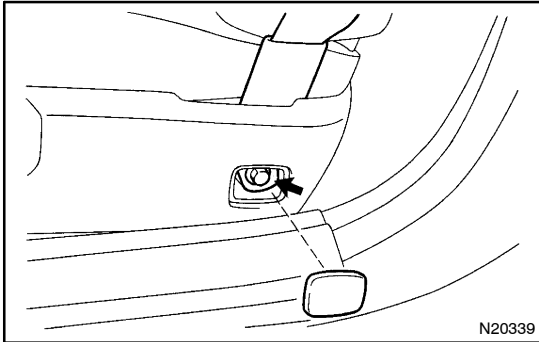


## REMOVAL

### NOTICE:

- If the wiring connector of the SRS is disconnected and the ignition switch is in ON or ACC position, DTCs will be recorded.
- Never use the airbag parts from another vehicle. When replacing parts, replace them with new parts.



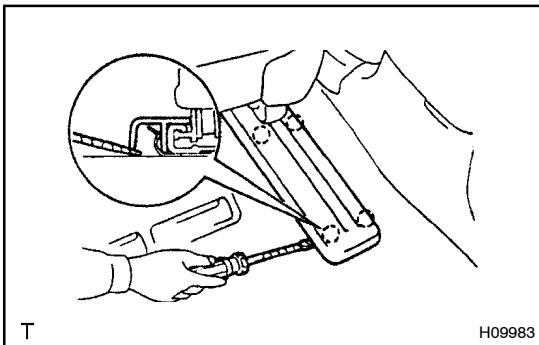
### 1. REMOVE FRONT SEAT

- (a) Using a screwdriver, remove the seat belt anchor cover cap.

#### HINT:

Tape the screwdriver tip before use.

- (b) Remove the bolt and front seat outer belt anchor.



- (c) Using a screwdriver, pry out the 2 front seat track covers.

#### HINT:

Tape the screwdriver tip before use.

- (d) Remove the 4 bolts.  
 (e) Disconnect the power seat and side airbag connectors.

### NOTICE:

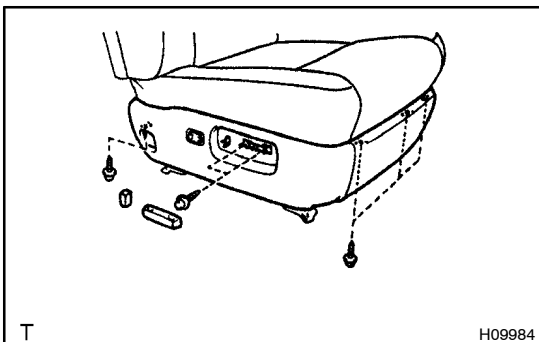
**When handling the airbag connector, take care not to damage the airbag wire harness.**

- (f) Remove the front seat.

### NOTICE:

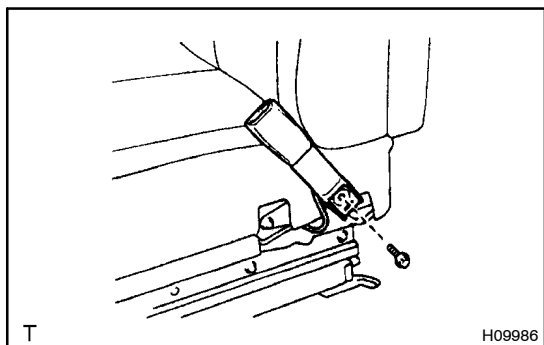
**Be careful not to damage the body.**

### 2. REMOVE HEADREST



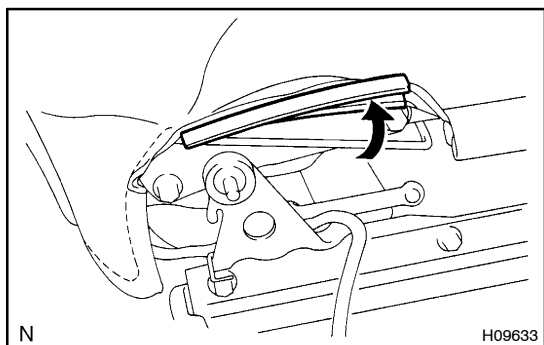
### 3. REMOVE FRONT SEAT CUSHION SHIELD

- (a) Pry out the power seat switch knobs.  
 (b) Remove the 6 screws and front seat cushion shield.  
 (c) Driver's seat:  
 Disconnect the connector of the lumbar support switch.

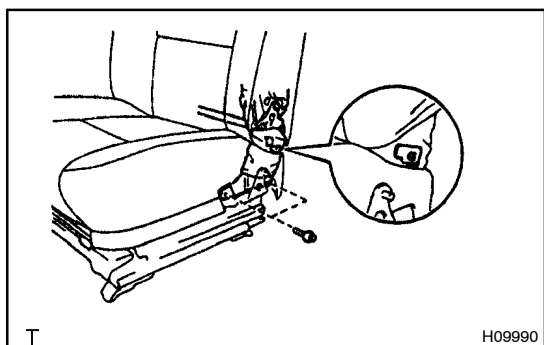


#### 4. REMOVE FRONT SEAT INNER BELT

- (a) Remove the bolt and front seat inner belt.
- (b) Driver's seat:  
Disconnect the connector



- (c) Disengage the hook of the seat cushion cover.



#### 5. REMOVE FRONT SEATBACK ASSEMBLY

- (a) Disengage the hook of the seat cushion cover.
- (b) Remove the wire harness from the seat cushion assembly.

#### NOTICE:

**When handling the airbag wire harness, take care not to damage the airbag wire harness.**

- (c) Remove the 4 bolts and seatback assembly.