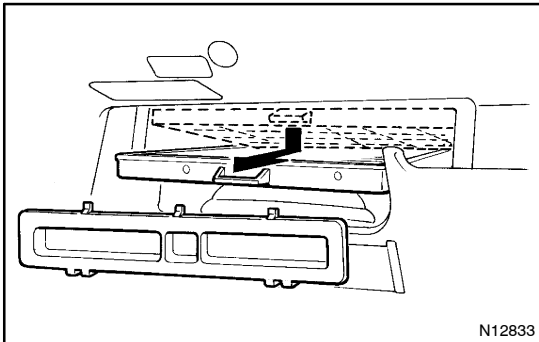


# AIR REFINER FILTER (for Front A/C)

## REMOVAL

AC255-01

1. REMOVE GLOVE COMPARTMENT DOOR  
(See [page BO-96](#))



2. REMOVE AIR REFINER FILTER

- (a) Remove the filter cover.
- (b) Pull out the filter assembly.
- (c) Remove the filter from filter case.

**CAUTION:**

Confirm the blower switch is off, when removing the filter.