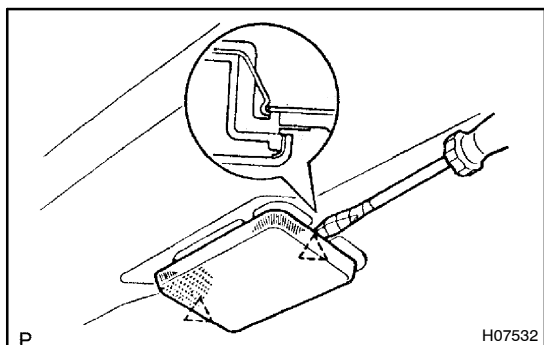


**REMOVAL**

1. REMOVE REAR COMBINATION LIGHT SERVICE COVER
2. REMOVE LUGGAGE COMPARTMENT DOOR TRIM
3. REMOVE LUGGAGE COMPARTMENT DOOR
4. REMOVE LUGGAGE COMPARTMENT FLOOR MAT

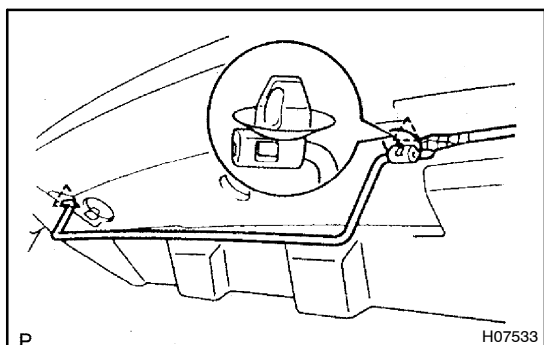
**5. REMOVE LUGGAGE COMPARTMENT LIGHT**

- (a) Using a screwdriver, remove the luggage compartment light.

**HINT:**

Tape the screwdriver tip before use.

- (b) Disconnect the connector.

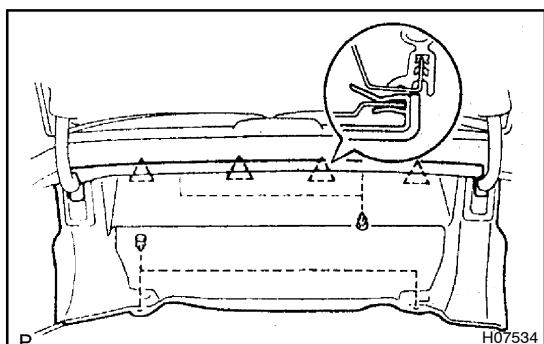
**6. REMOVE CLEANING CLOTH HUNGER**

- (a) Using a screwdriver, remove the cleaning cloth hunger.

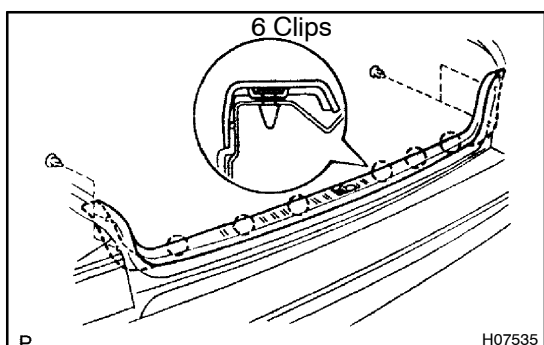
**HINT:**

Tape the screwdriver tip before use.

- (b) Employ the same manner described above to the other side.

**7. REMOVE LUGGAGE COMPARTMENT TRIM FRONT COVER**

- (a) Using a clip remover, remove the 4 clips.
- (b) Remove the luggage compartment trim front cover.

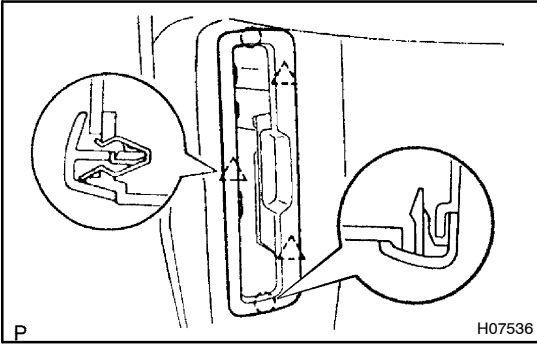
**8. REMOVE LUGGAGE COMPARTMENT DOOR STRIKER COVER**

- (a) Using a clip remover, remove the 4 clips.
- (b) Using a screwdriver, remove the luggage compartment door striker cover.

**HINT:**

Tape the screwdriver tip before use.

**9. REMOVE LUGGAGE COMPARTMENT TRIM REAR COVER****10. REMOVE LUGGAGE COMPARTMENT TRIM COVERS**

**11. REMOVE SIDE TRIM TOOL BAG COVER**

Using a screwdriver, remove the side trim bag cover.

HINT:

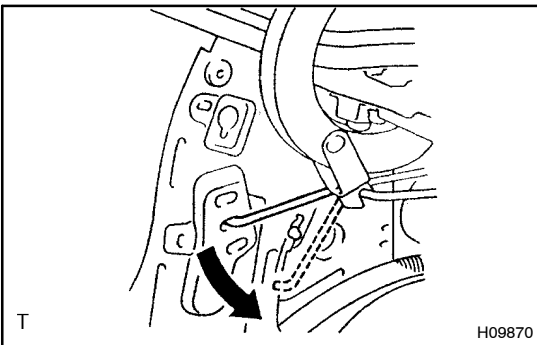
Tape the screwdriver tip before use.

**12. REMOVE LUGGAGE COMPARTMENT TRIM SIDE COVERS****13. REMOVE HINGE TORSION BAR**

NOTICE:

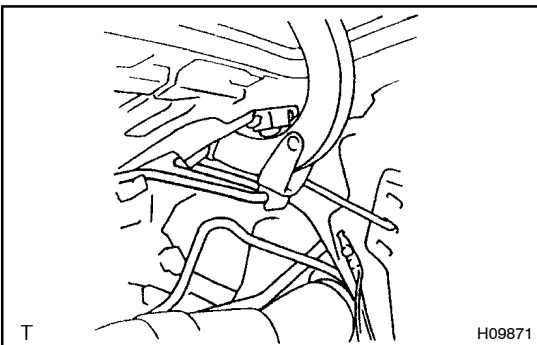
**As no identification marks are painted to torsion bars, paint marks for identifying the right and left torsion bar immediately after removal.**

- (a) Remove the torsion bar from the clip at the center of upper back panel.



- (b) Manually disconnect the tip of torsion bar from the roof side inner.

- (c) Remove the hinge arm from the torsion bar, by pulling towards the rear.



- (d) Pull the torsion bar towards you to remove the U-part from the hinge support.

- (e) Employ the same manner described above to the other side.