

## INSPECTION

### 1. INSPECT LUGGAGE COMPARTMENT DOOR OPENER MAIN SWITCH CONTINUITY

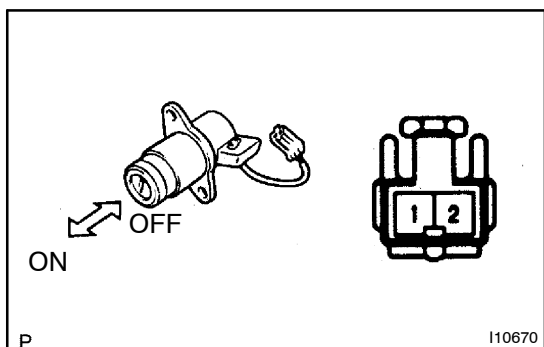
Switch operation	Tester connection	Specified condition
OFF (Push)	-	No continuity
ON (Push and turn)	1 - 2	Continuity

If continuity is not as specified, replace the switch.

### 2. INSPECT LUGGAGE COMPARTMENT DOOR OPENER SWITCH CONTINUITY

Switch operation	Tester connection	Specified condition
OFF	2 - B	Continuity
ON (Pull)	1 - L 2 - B	Continuity

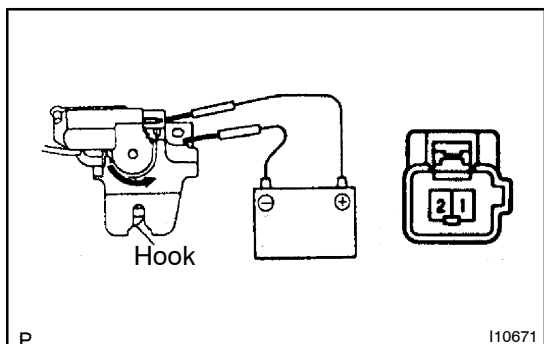
If continuity is not as specified, replace the switch.



### 3. INSPECT FUEL LID OPENER CANCEL SWITCH CONTINUITY

Switch operation	Tester connection	Specified condition
OFF (Key removed)	-	No continuity
ON (Key set)	1 - 2	Continuity

If continuity is not as specified, replace the switch.



### 4. INSPECT LUGGAGE COMPARTMENT DOOR OPENER MOTOR OPERATION

Connect positive (+) lead to the terminal 1 and negative (-) lead to the opener motor body, and check that the motor operates. If operation is not as specified, replace the motor.