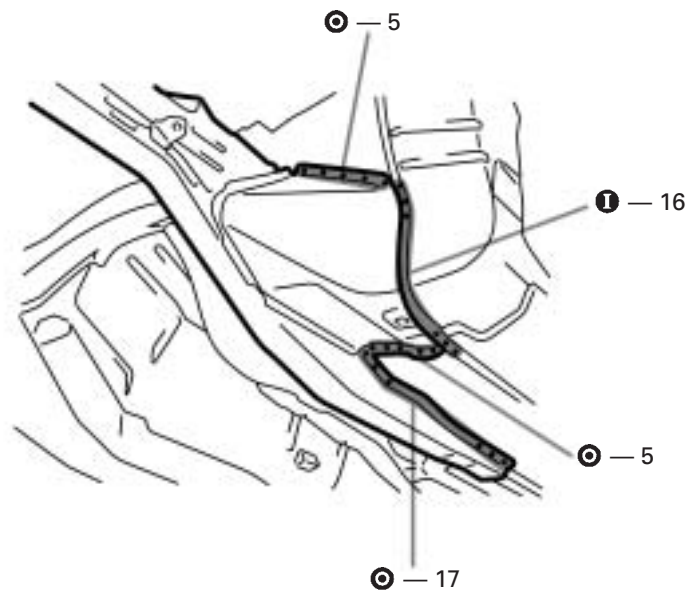
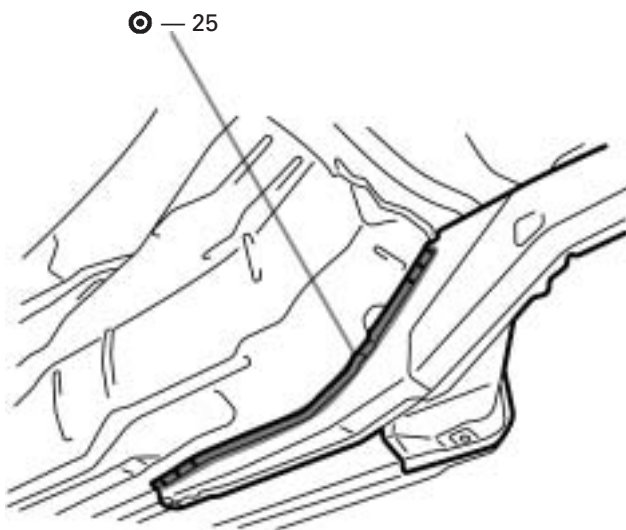
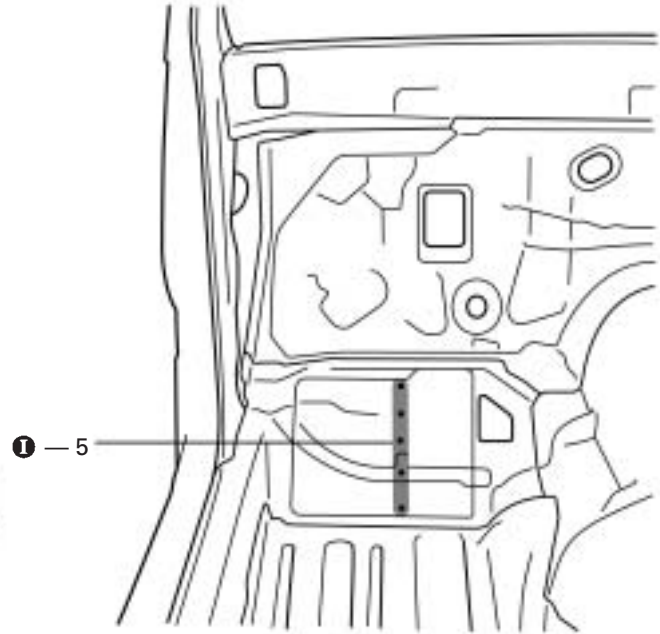
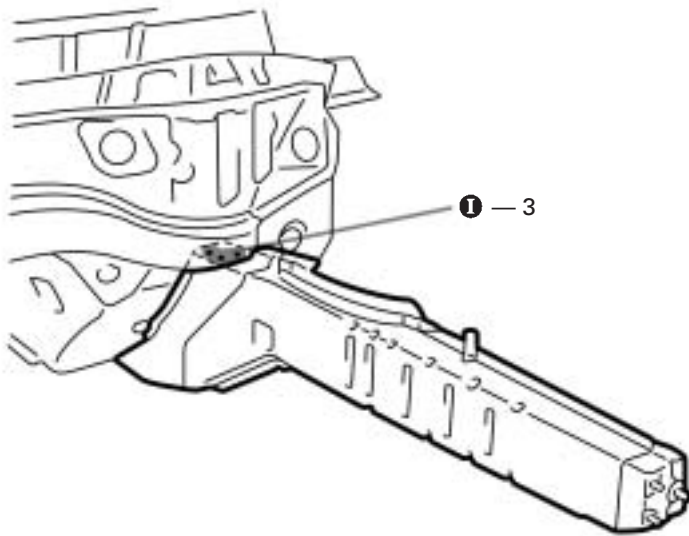
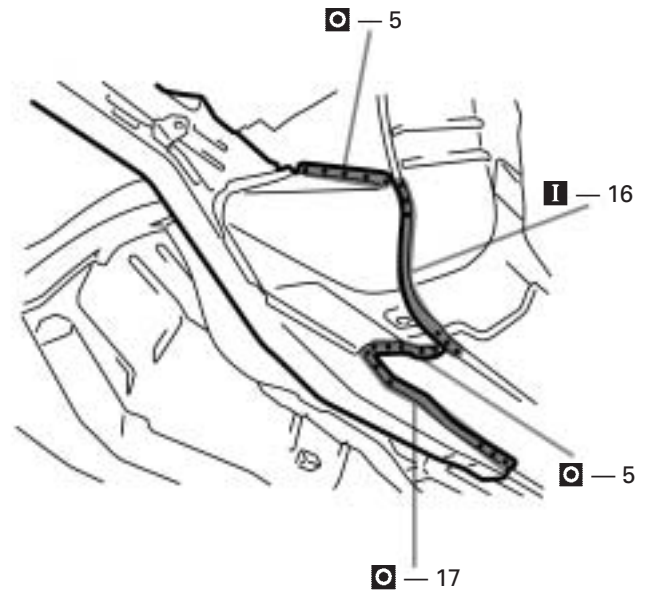
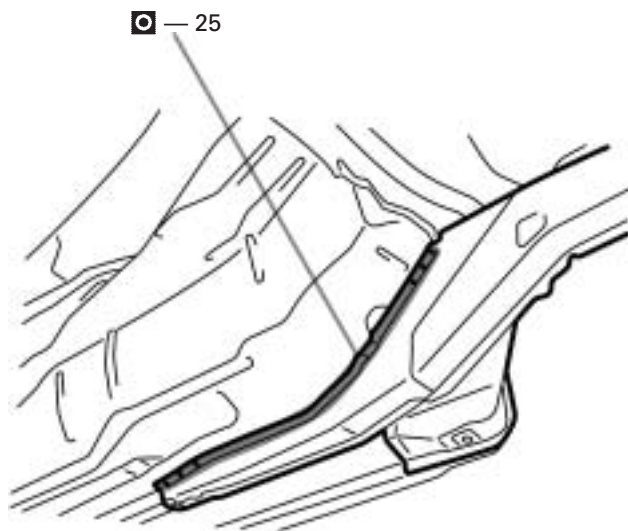
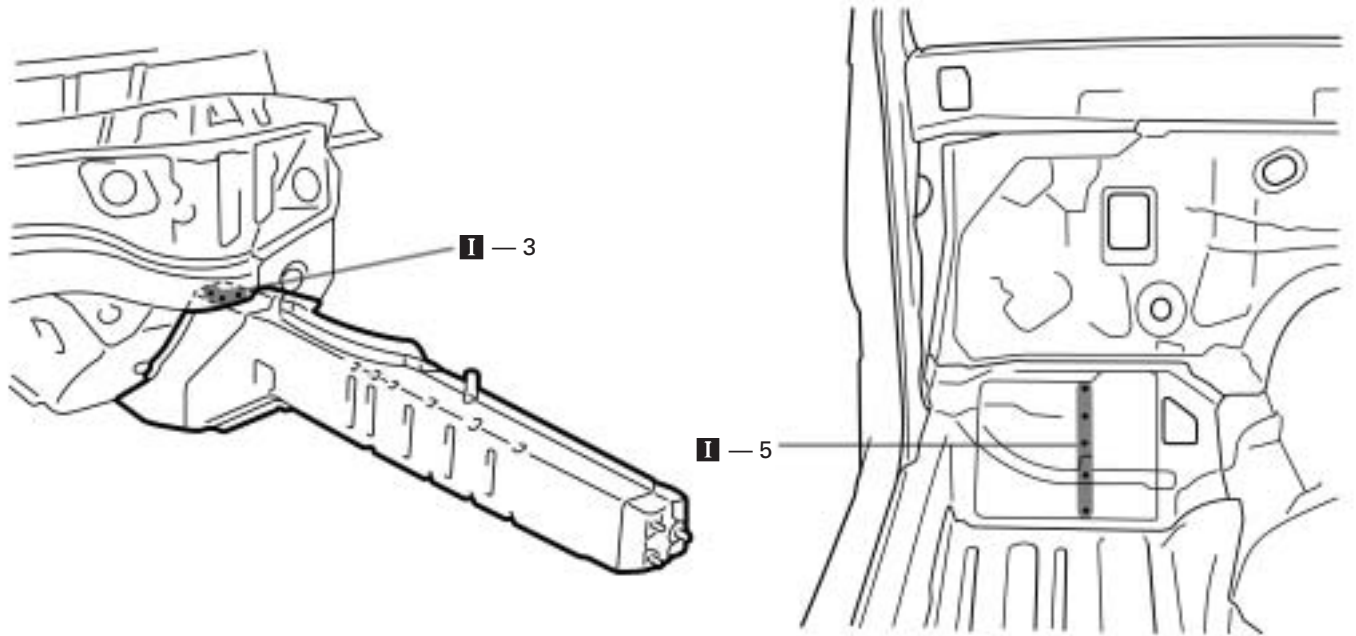


## FRONT SIDE MEMBER (ASSY)

**REMOVAL** (With the front fender apron, front crossmember, front side member rear inner No.1 reinforcement removed.)



INSTALLATION



1. Temporarily install the new parts and measure each part in accordance with the body dimension diagram.

*HINT: Make sure each measurement is correct, as this part affects the front wheel alignment.*