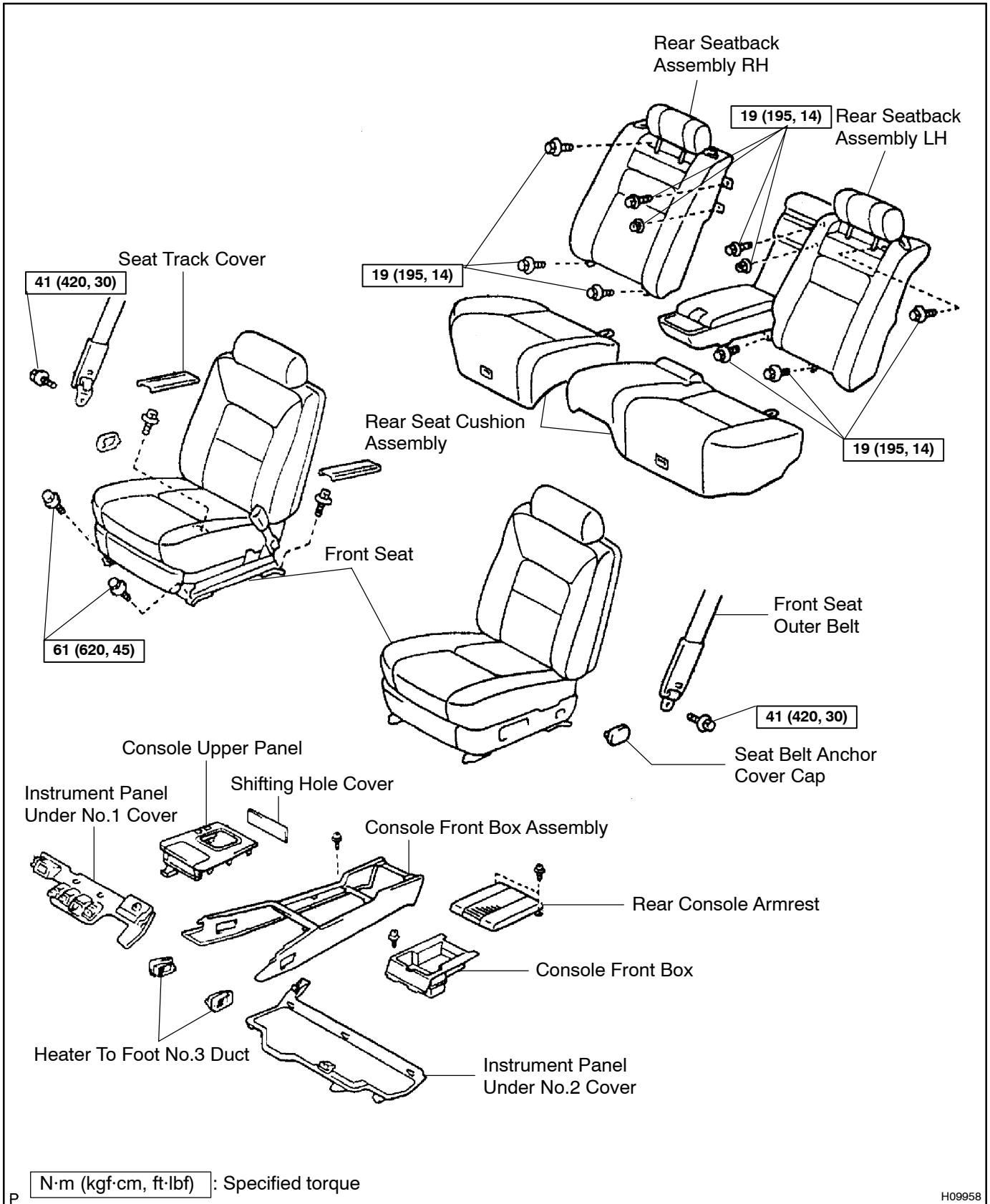


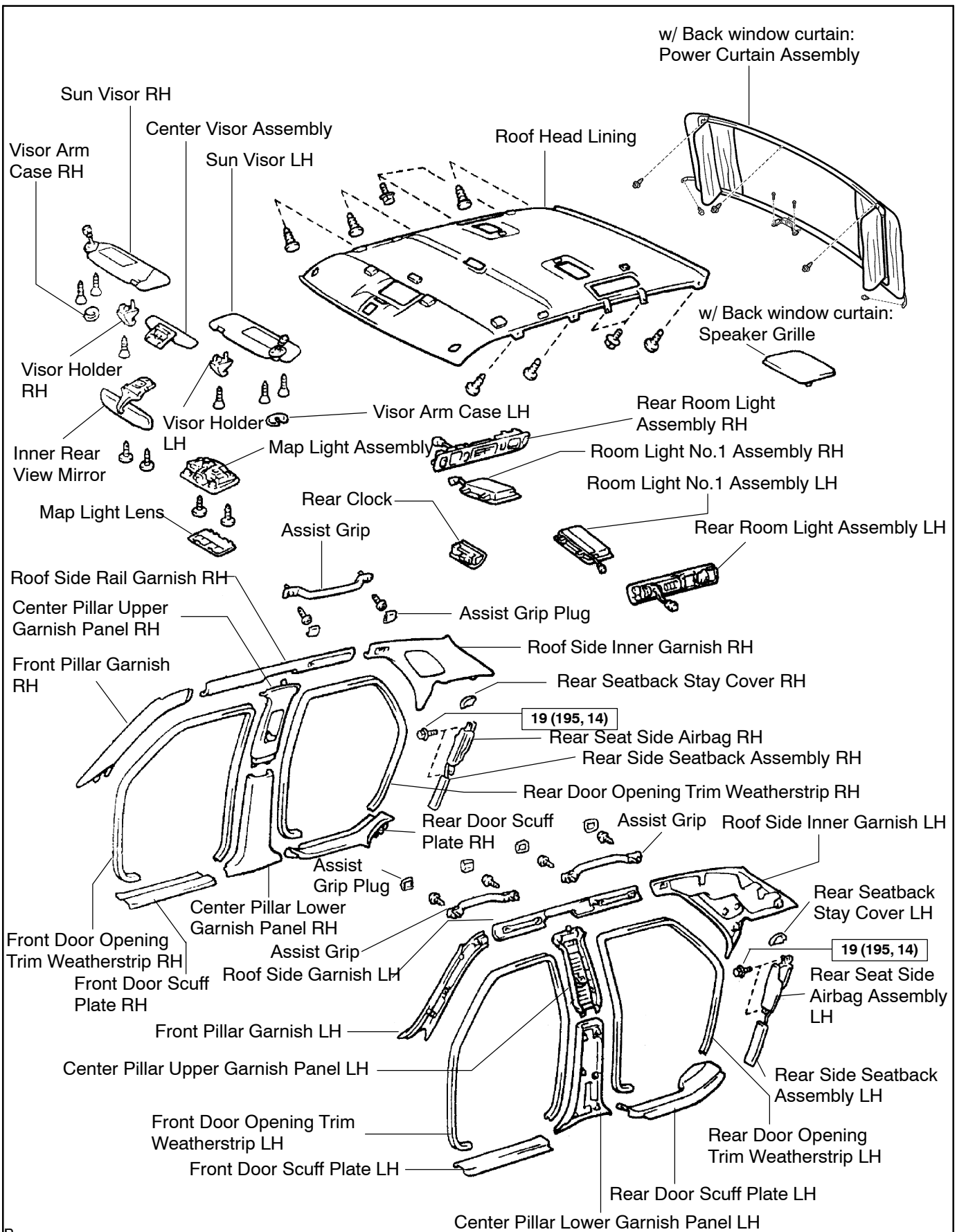
ROOF HEADLINING COMPONENTS

BO2A8-01



H09958

BODY - ROOF HEADLINING



N·m (kgf·cm, ft·lbf) : Specified torque