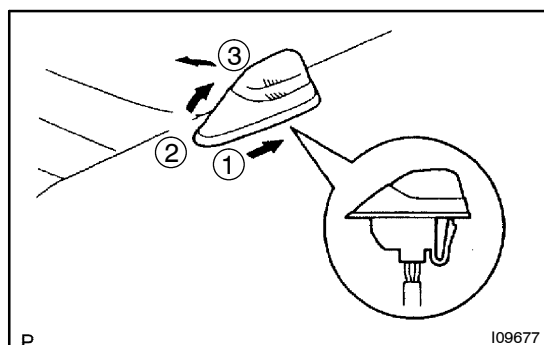
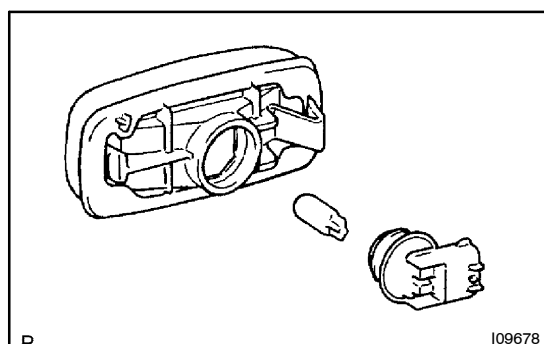


REPLACEMENT

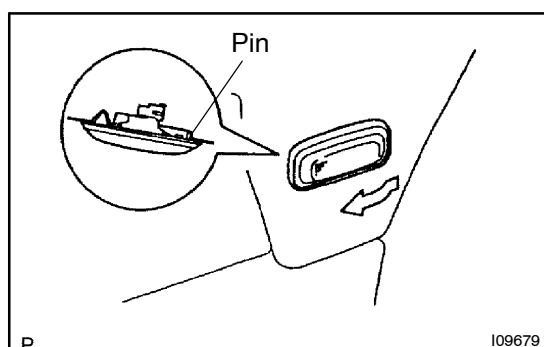
1. **REMOVE BULB**
 - (a) Remove engine under cover.
 - (b) Remove 4 fender liner.
 - (c) Remove the bulb socket and then the bulb.



2. **REMOVE FENDER MARKER ASSEMBLY**
 - (a) Remove head light assembly (refer to head light assembly)
 - (b) Disconnect the connector.
 - (c) Remove the fender marker assembly by pulling it as shown.



3. **REMOVE SIDE TURN SIGNAL LIGHT BULB**
 - (a) Pull towards the front of the vehicle and disconnect the pin.
 - (b) Remove the bulb socket and then the bulb.



4. **REMOVE SIDE TURN SIGNAL LIGHT ASSEMBLY**
 - (a) Pull towards the front of the vehicle and disconnect the pin.
 - (b) Disconnect the connector and remove the side turn signal light assembly.