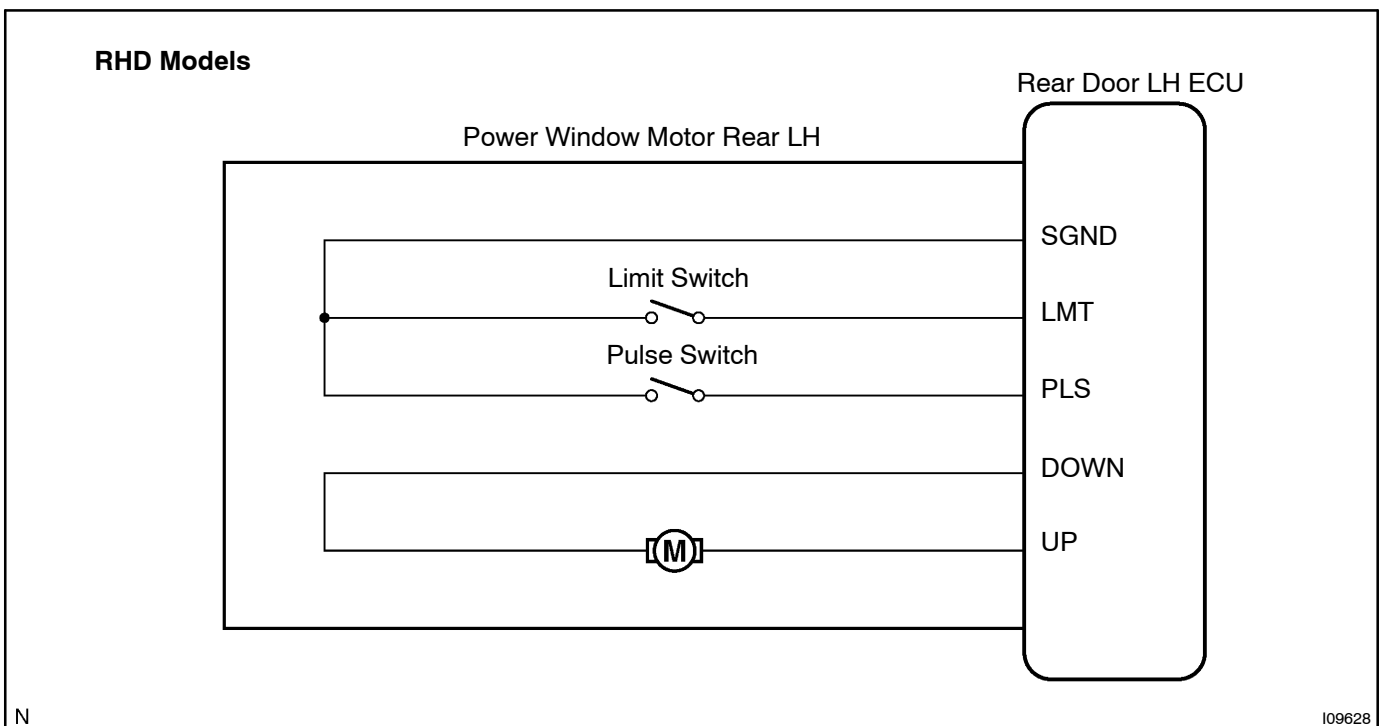
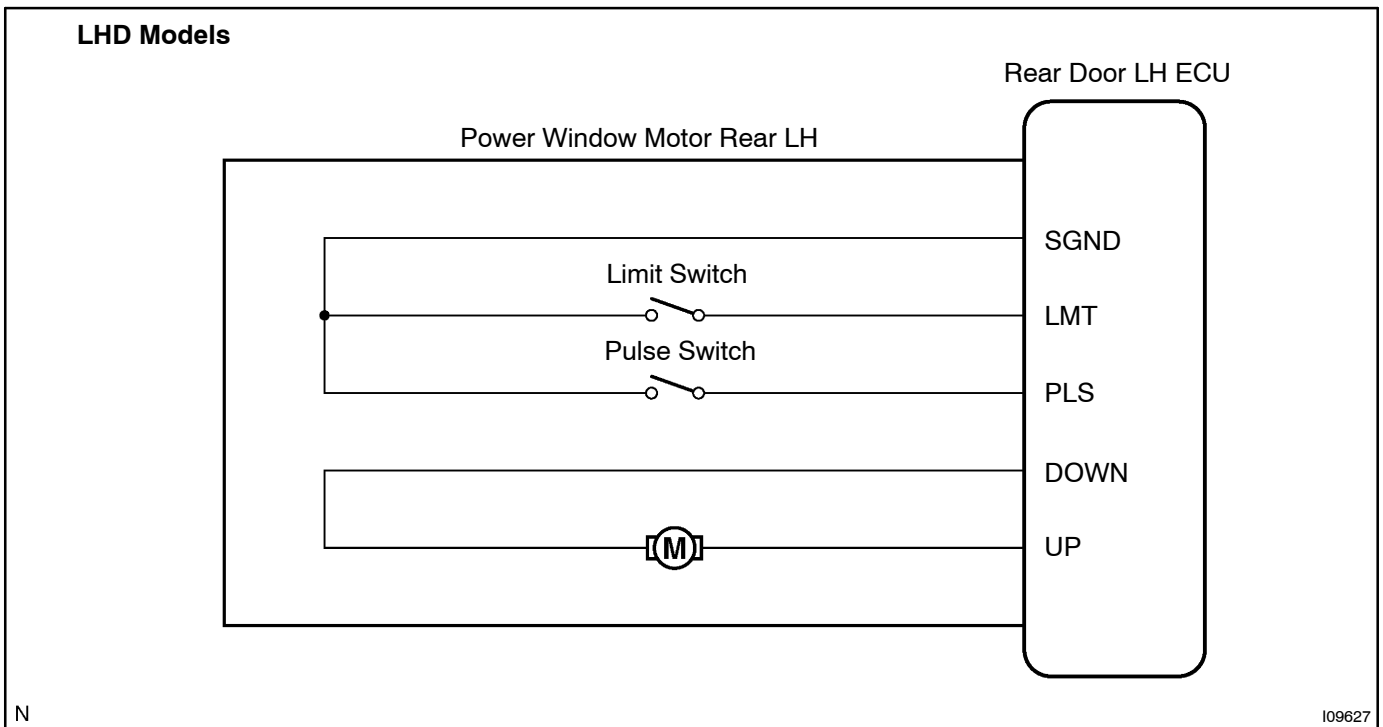


Jam protection limit switch circuit

CIRCUIT DESCRIPTION

Jam protection limit switch is built-in the power window motor. This switch functions to turn "OFF" before the top dead center, and ECU reads this "OFF" signal resulting in closing the window fully.

WIRING DIAGRAM



INSPECTION PROCEDURE

1 Check jam protection limit switch (See page BE-87).

NG

Replace the power window motor.

OK

2 Check wireharness and connector between jam protection limit switch and rear door LH ECU (See page N-30).

NG

Repair or replace wireharness or connector.

OK

Proceed to next circuit inspection shown on problem symptoms table (See page DI-614).