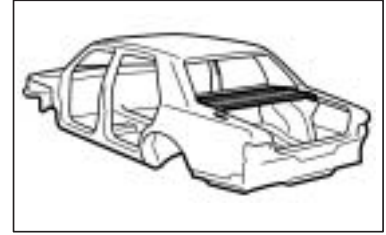
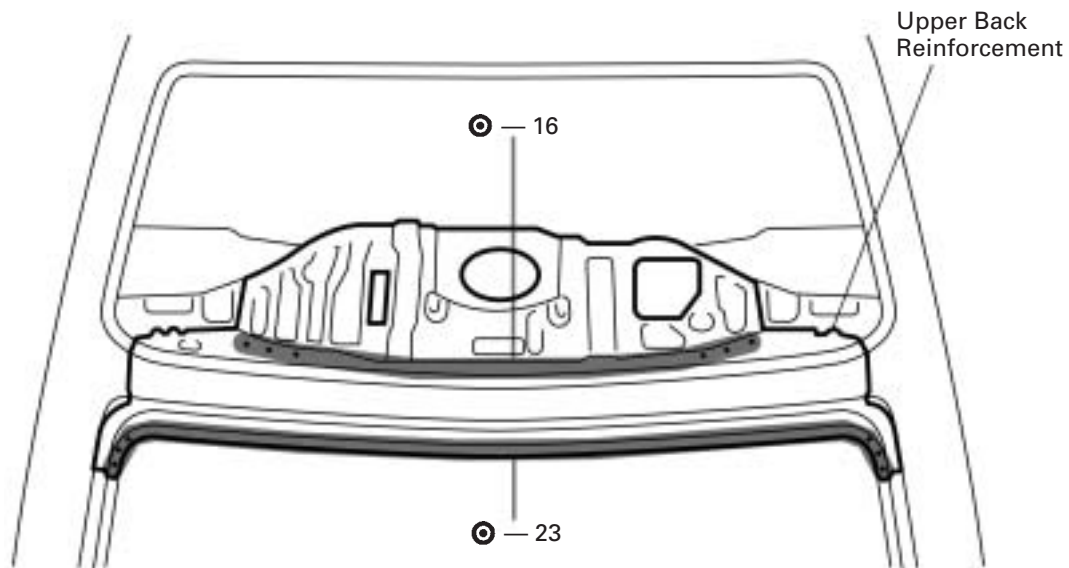
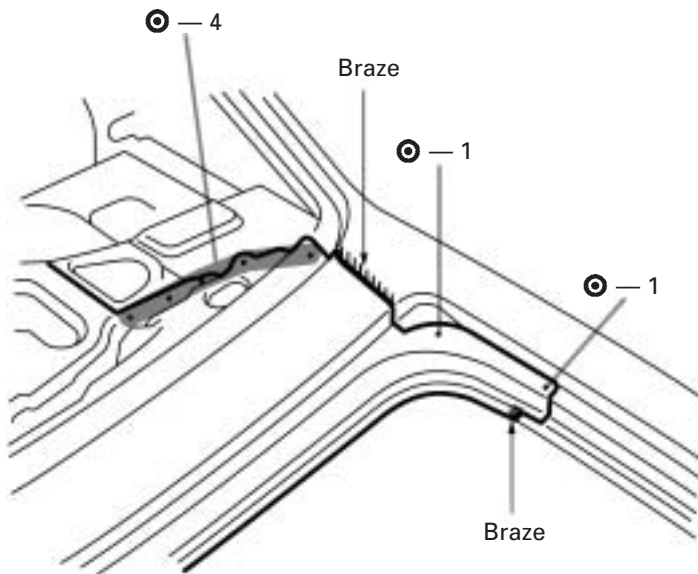


## UPPER BACK PANEL (ASSY)

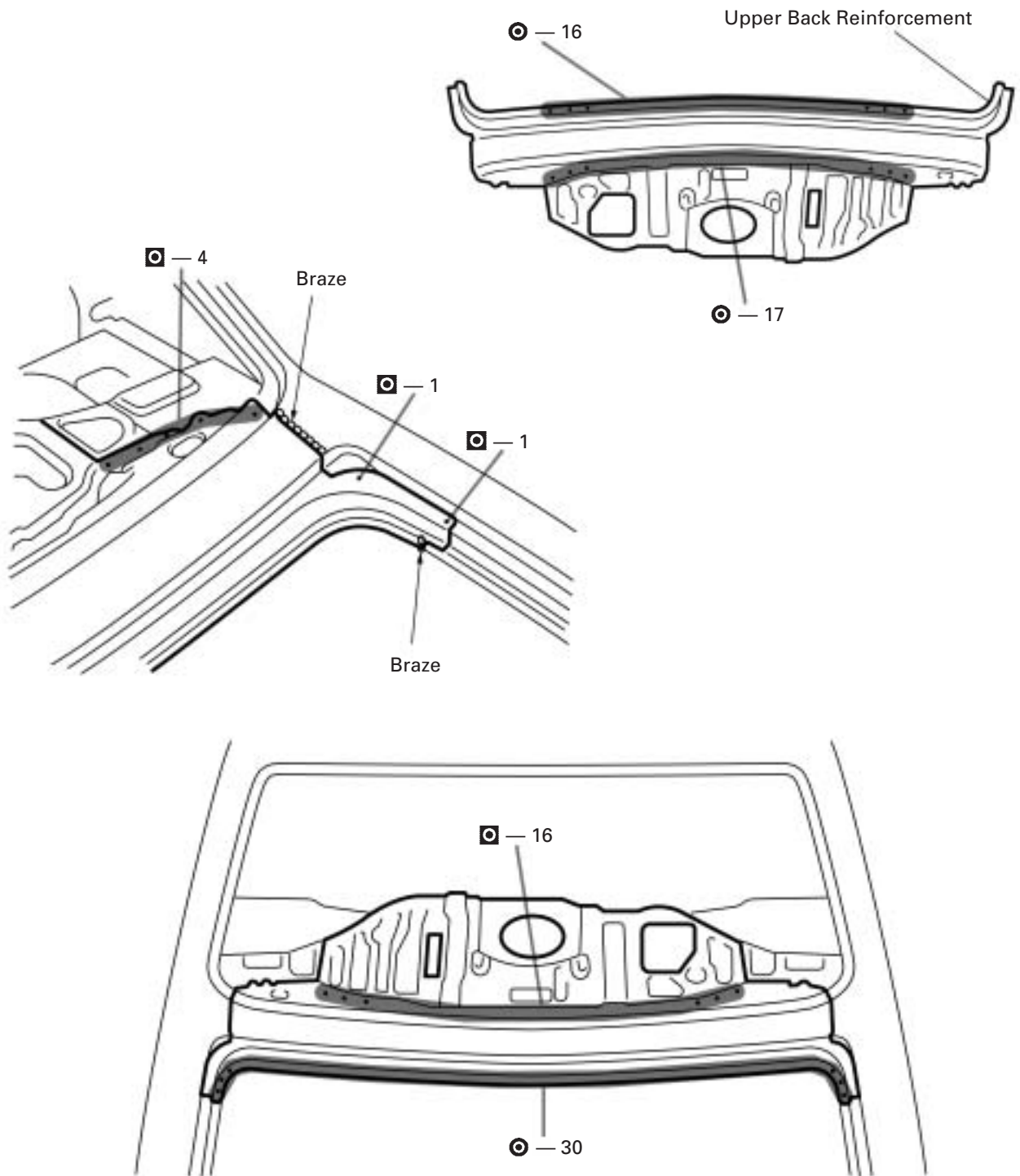


### REMOVAL



1. Leave the parts other than the upper back reinforcement on the vehicle side.

INSTALLATION



1. Remove only upper back reinforcement from the new parts.
2. Temporarily install the new part and check the fit of the luggage compartment door.