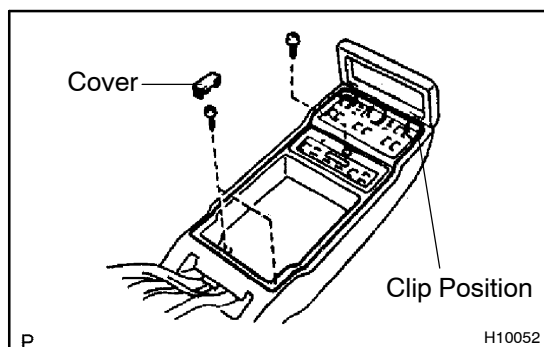


REMOVAL

1. REMOVE REAR SEAT CUSHION ASSY



2. REMOVE REAR SEAT CENTER ARM REST PLATE

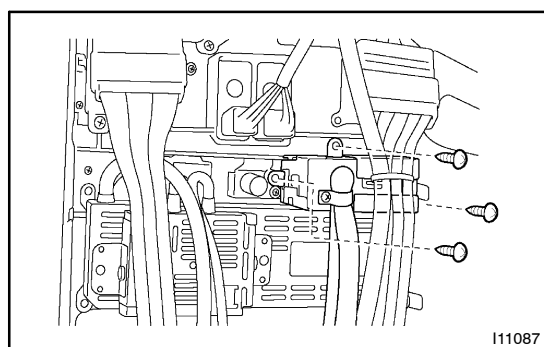
(a) Remove the 2 covers.

HINT:

Tape the screwdriver, tip before use.

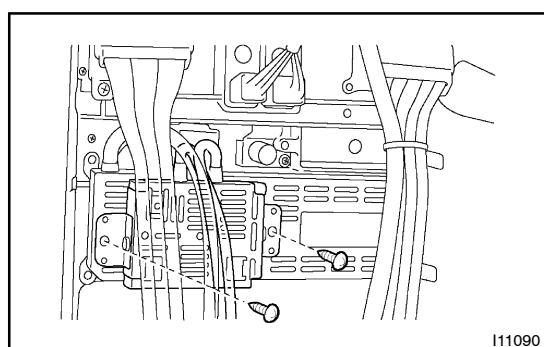
(b) Remove the 3 screws.

(c) Remove the rear seat center arm rest plate, then disconnect the connectors.



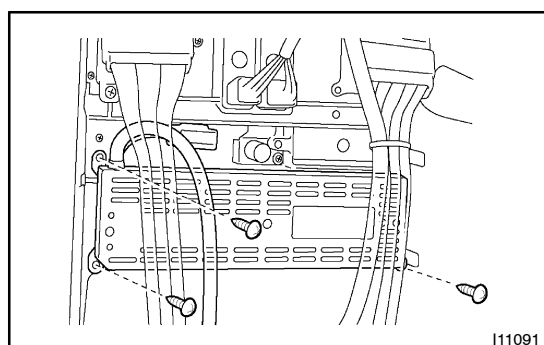
3. REMOVE MICROPHONE AMPLIFIER ASSEMBLY

Remove the 3 screws and microphone amplifier assembly.



4. REMOVE VOLTAGE CONVERTER ASSEMBLY

Remove the 2 screws and voltage converter assembly.



5. REMOVE RADIO SWITCH & VOLUME ASSEMBLY

Remove the 3 screws and radio switch & volume assembly.