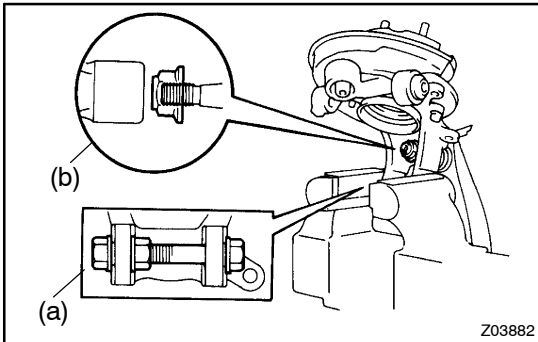


REMOVAL

1. REMOVE REAR AXLE CARRIER WITH UPPER SUSPENSION ARM (See page SA-52)



2. REMOVE UPPER SUSPENSION ARM

- (a) Install a bolt and 2 nuts to the axle carrier and secure it in a vise.
- (b) Loosen the nut to the position shown in the illustration. Then tap the nut with a hammer and remove the upper suspension arm and nut.