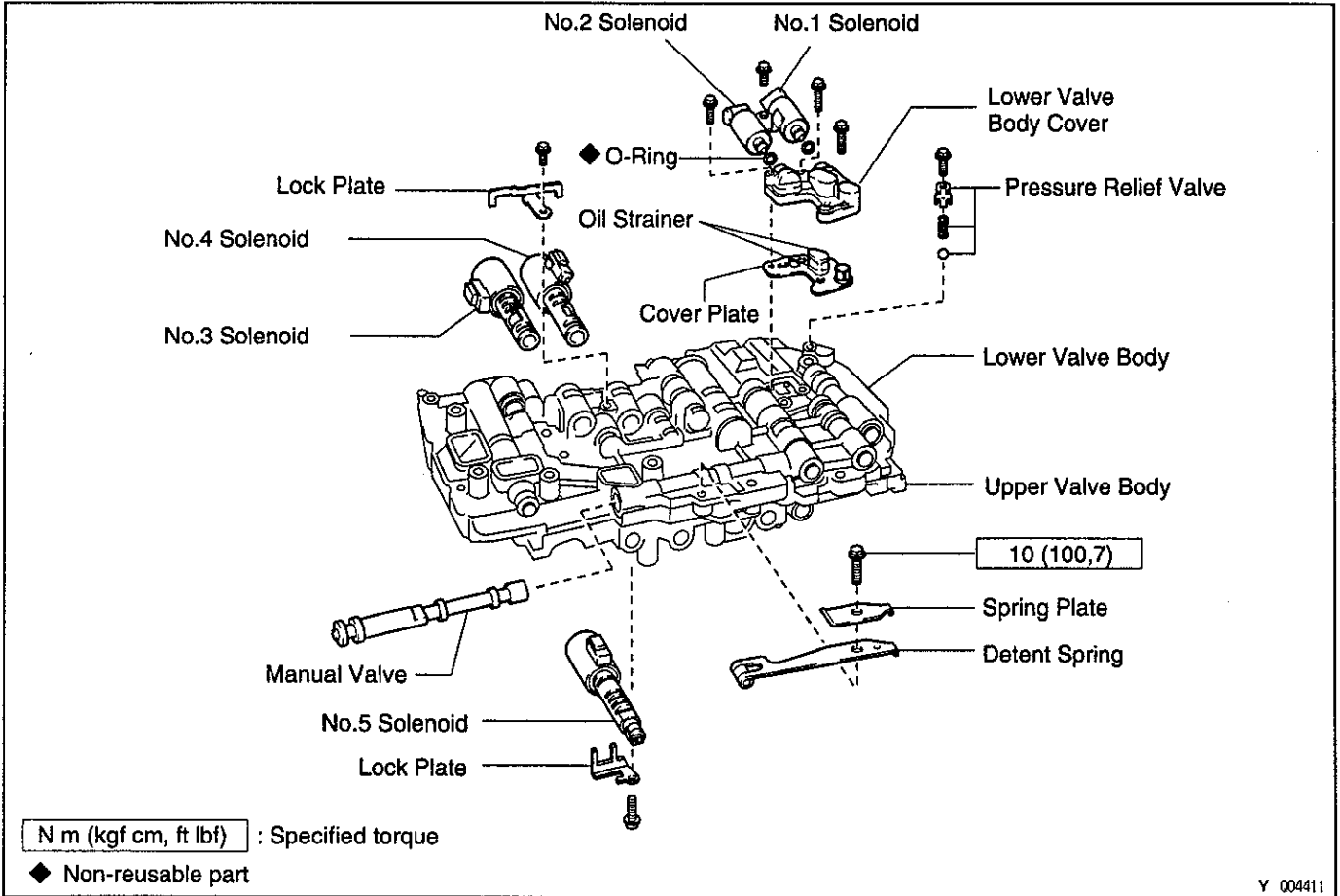
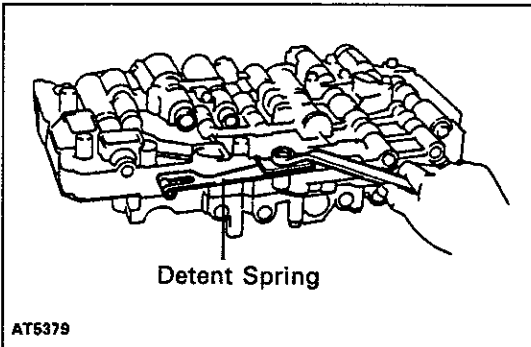


VALVE BODY COMPONENTS

AT0EP-02



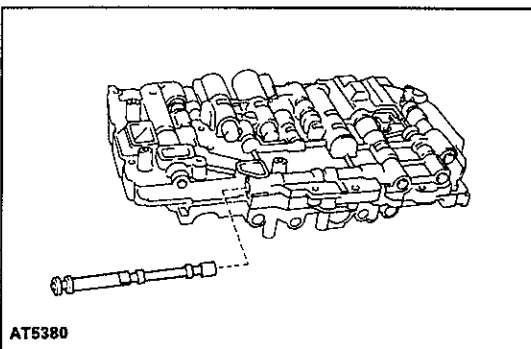
Y 00411



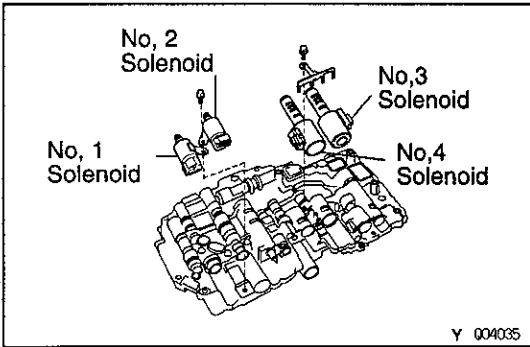
VALVE BODY DISASSEMBLY

AT0PU-01

1. REMOVE DETENT SPRING AND SPRING PLATE

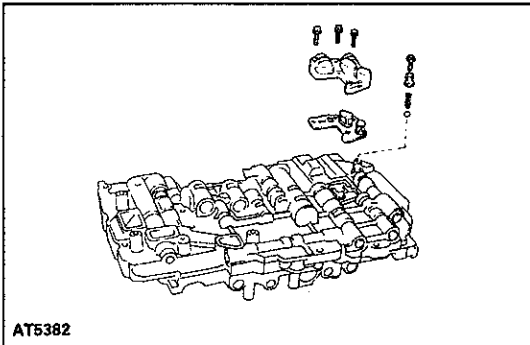


2. REMOVE MANUAL VALVE

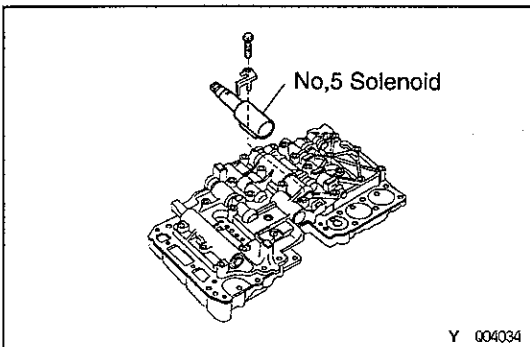


3. REMOVE 4 SOLENOIDS

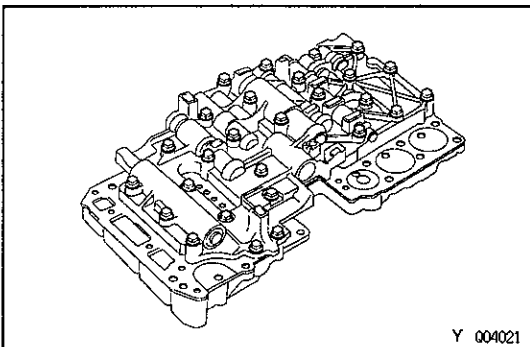
- (a) Remove No.1 and No.2 solenoids.
- (b) Remove the O-ring from No.1 and No.2 solenoids.
- (c) Remove the lock plate and No.3 and No.4 solenoids.



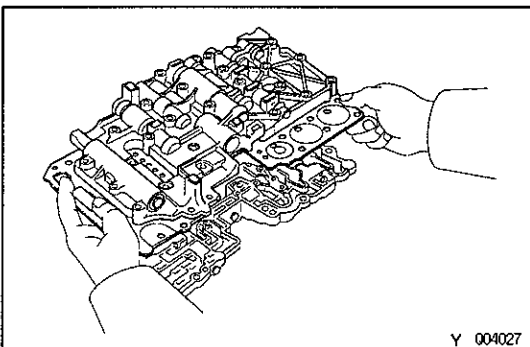
4. REMOVE OIL STRAINER AND PRESSURE RELIEF VALVE



5. TURN OVER ASSEMBLY AND REMOVE 28 NO.5 SOLENOID VALVE



6. REMOVE THE 28 BOLTS



7. LIFT OFF UPPER VALVE BODY AND PLATE