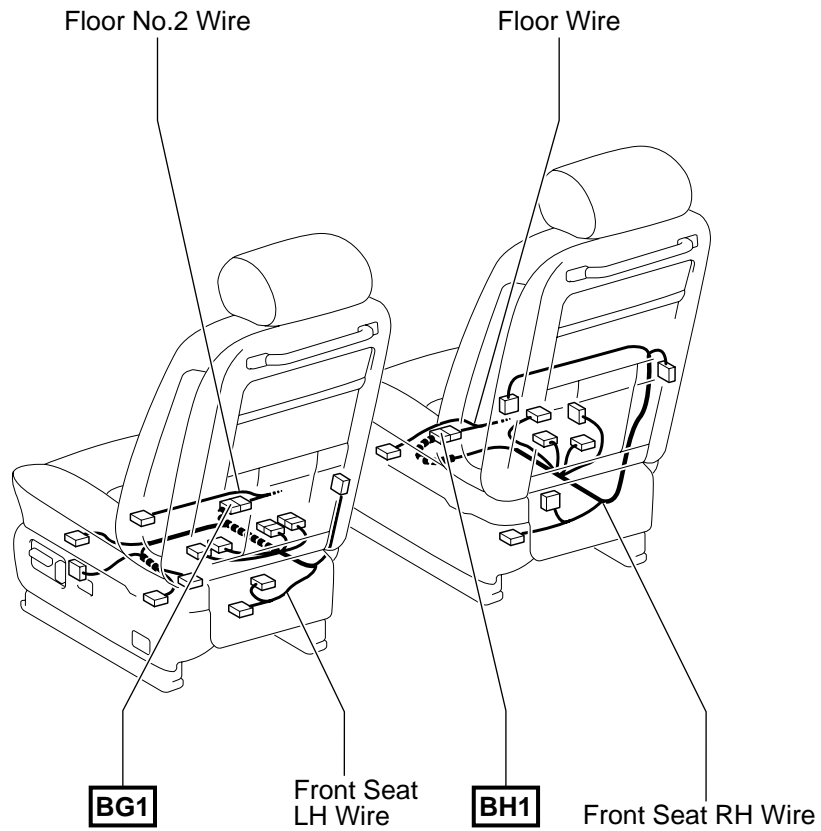


G ELECTRICAL WIRING ROUTING

□ : Location of Connector Joining Wire Harness and Wire Harness

[RHD]



○ : Location of Splice Points

