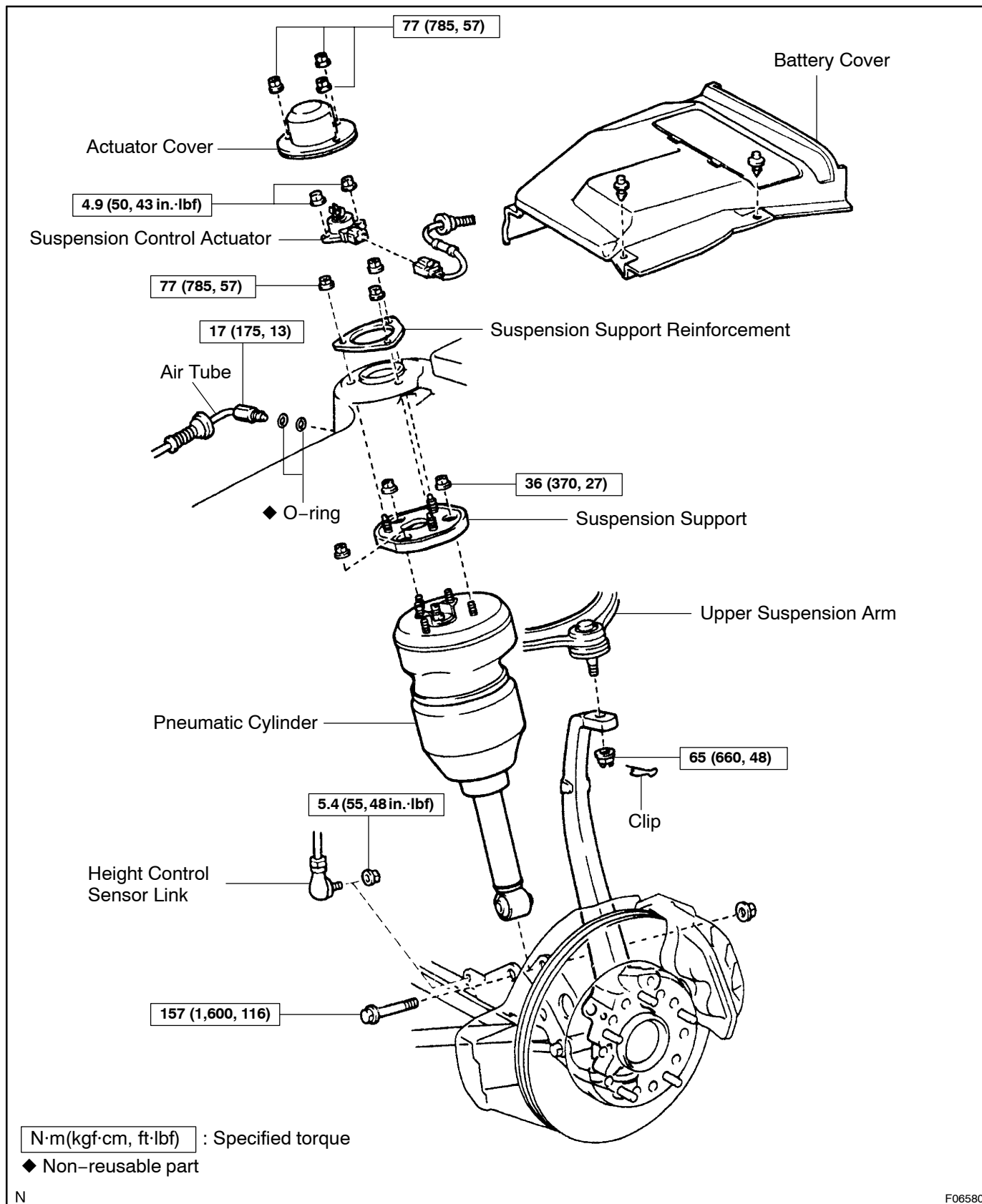


# FRONT PNEUMATIC CYLINDER COMPONENTS

SA0J2-02



N

F06580