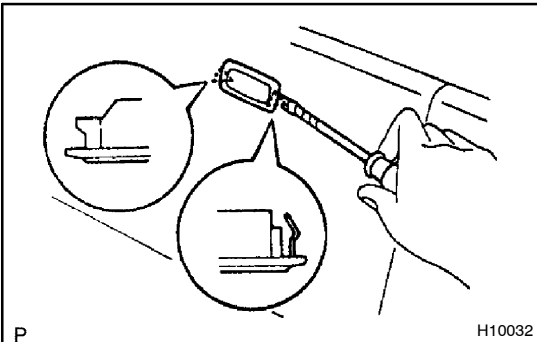


## DISASSEMBLY

### 1. REMOVE BELT PROTECTOR

- (a) Remove the 2 screws and belt protector.
- (b) Employ the same manner described above to the other side.



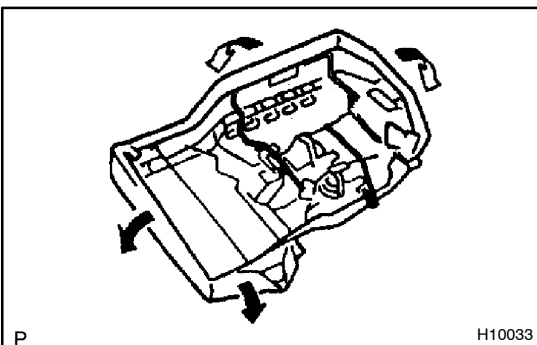
### 2. REMOVE STEP LIGHT

- (a) Using a screwdriver, remove the step light, then disconnect the connector.

#### HINT:

Tape the screwdriver tip before use.

- (b) Employ the same manner described above to the other side.

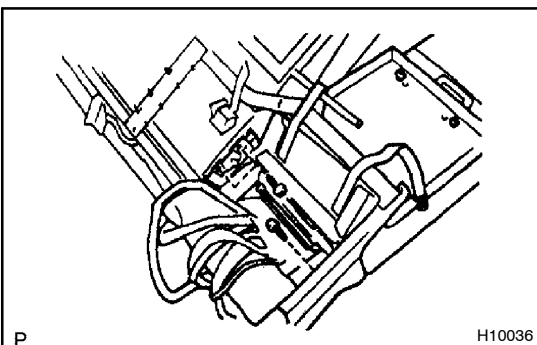


### 3. REMOVE SEAT CUSHION SPRING

- (a) Remove the seat cushion spring as shown in the illustration.
- (b) Employ the same manner described above to the other side.

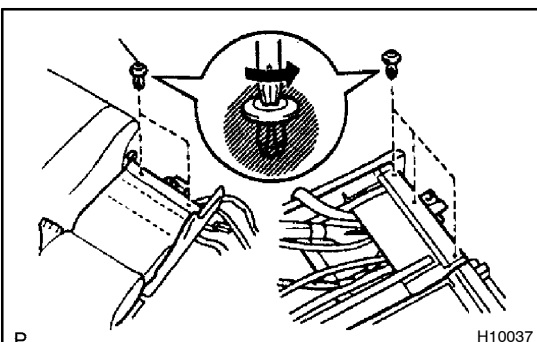
### 4. REMOVE SEAT CUSHION COVER

- (a) Remove the seat cushion cover and seat heater from seat cushion pad.
- (b) Employ the same manner described above to the other side.

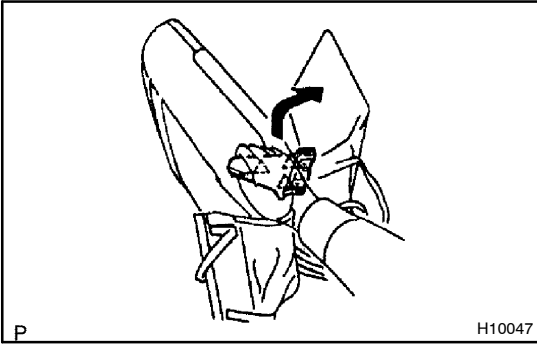


### 5. REMOVE CENTER ARMREST ASSEMBLY

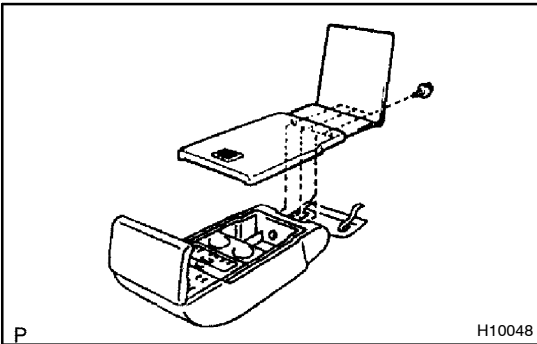
- (a) Remove the 4 screws.



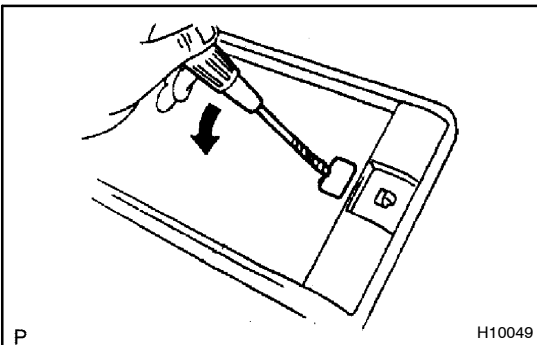
- (b) Remove the 5 clips and center armrest assembly.



- (c) Remove the seat armrest cover as shown in the illustration.
- (d) Remove the center armrest hinge.



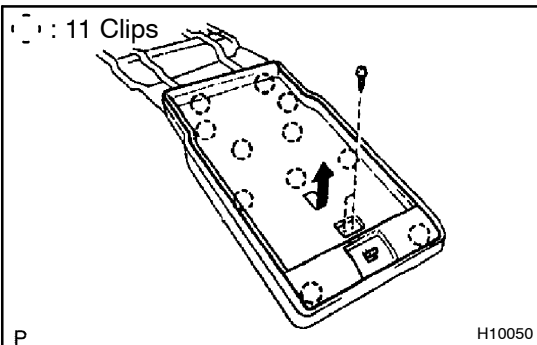
- (e) Remove the 3 screws and center armrest door.



- (f) Using a screwdriver, remove the cover from the center armrest door.

HINT:

Tape the screwdriver tip before use.

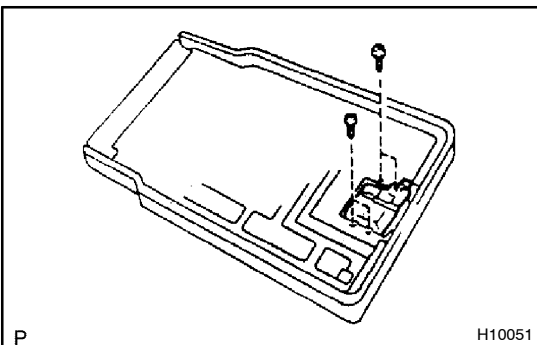


- (g) Remove the 2 screws.

- (h) Using a screwdriver, remove the armrest plate as shown in the illustration.

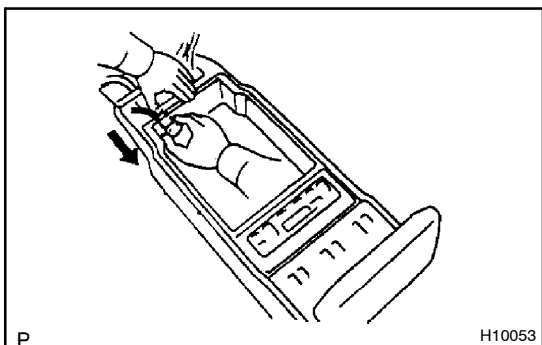
HINT:

Tape the screwdriver tip before use.

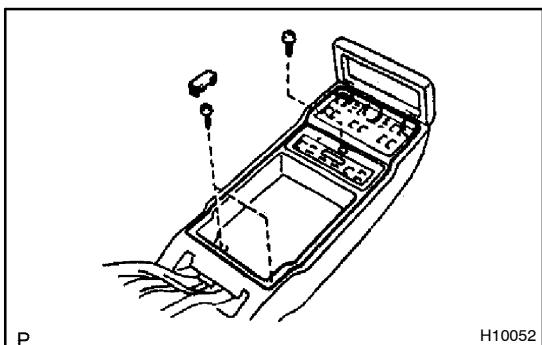


- (i) Remove the 4 screws and center armrest lock.

## BODY - REAR SEAT



- (j) Remove the power outlet socket as shown in the illustration.

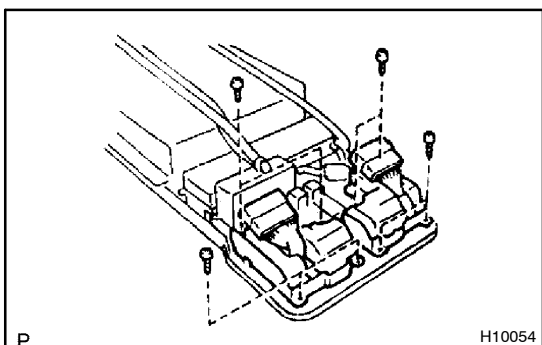


- (k) Using a screwdriver, remove the 2 covers.

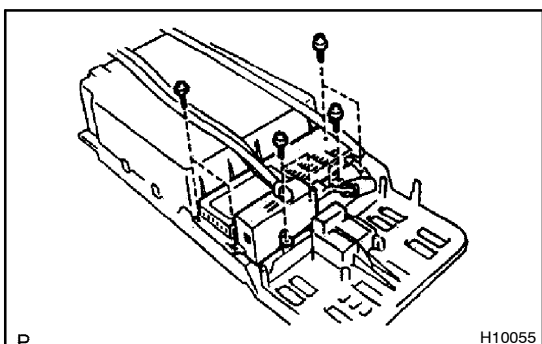
HINT:

Tape the screwdriver tip before use.

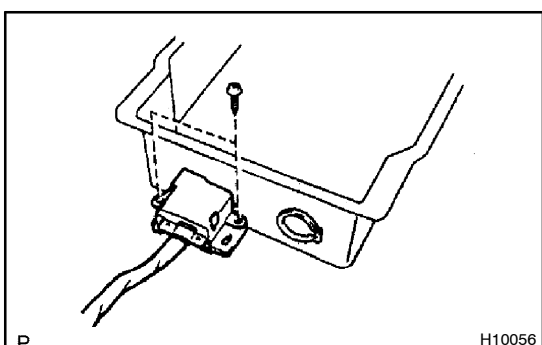
- (l) Using a screwdriver, remove the 3 screws and center armrest No.1 box.



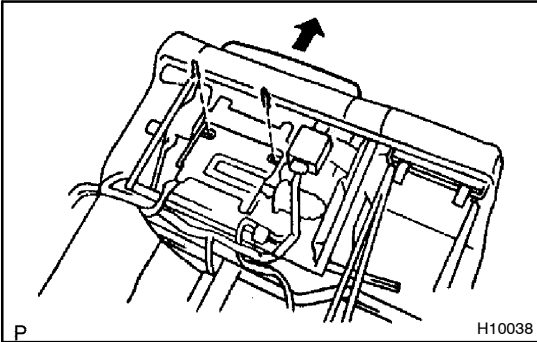
- (m) Remove the 8 screws and power seat switch assembly.



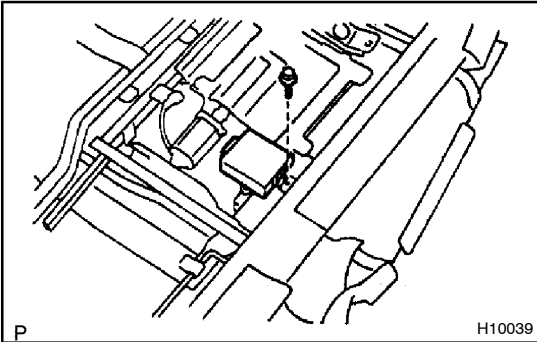
- (n) Remove the 6 screws and switch & volume assembly and courtesy light switch.



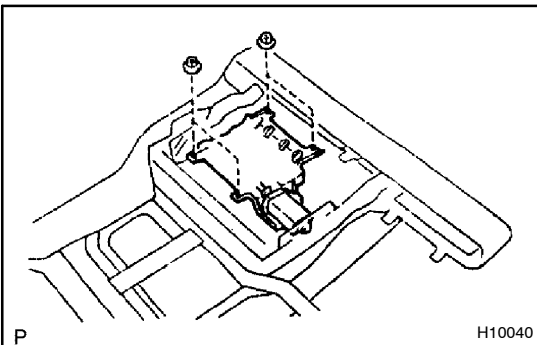
- (o) Remove the 2 screws and microphone amplifier assembly.

**6. REMOVE REAR SEAT HEADREST ASSEMBLY**

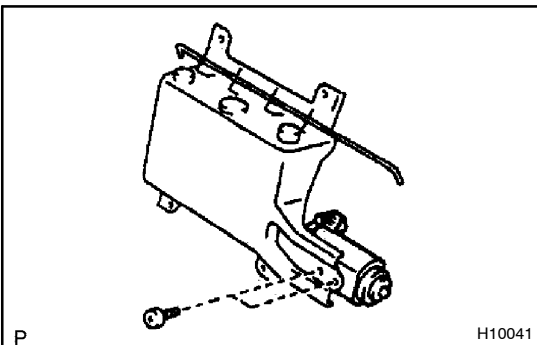
- (a) Remove the 2 snap rings and rear seat headrest assembly as shown in the illustration.
- (b) Employ the same manner described above to the other side.

**7. REMOVE VIBRATION SEAT COMPUTER**

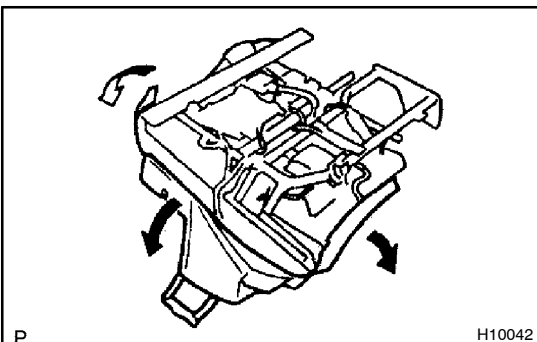
- (a) Disconnect the connector, then remove the bolt and vibration seat computer.
- (b) Employ the same manner described above to the other side.

**8. REMOVE HEADREST SUPPORT ASSEMBLY**

- (a) Disconnect the connector, then remove the 4 nuts and headrest support assembly.



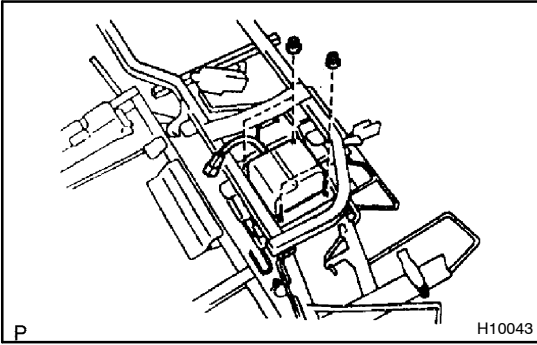
- (b) Remove the 2 screws and headrest vertical motor.
- (c) Employ the same manner described above to the other side.

**9. REMOVE REAR SEATBACK FRAME**

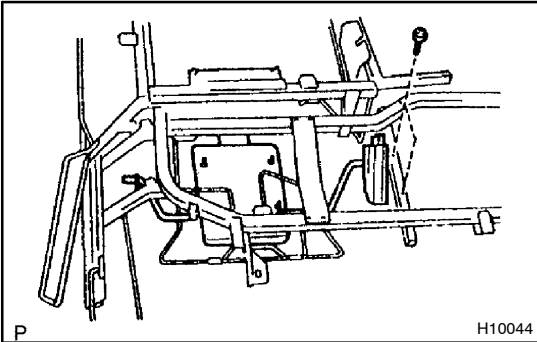
- (a) Remove the rear seatback frame as shown in the illustration.
- (b) Employ the same manner described above to the other side.

**10. REMOVE SEATBACK COVER**

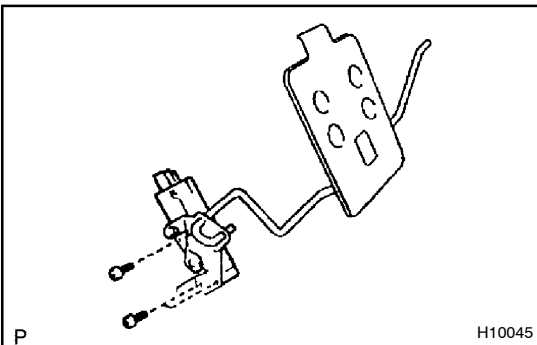
Remove the seatback cover and seat heater from seatback frame.

**11. REMOVE SEAT VIBRATOR ASSEMBLY**

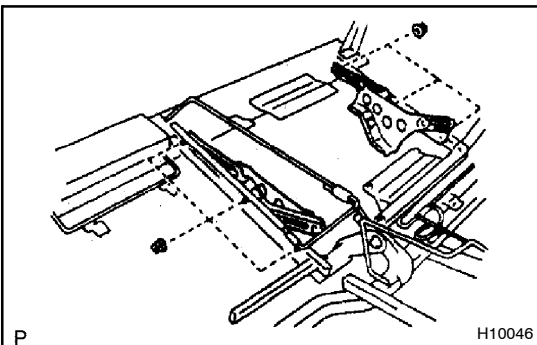
- (a) Disconnect the connector.
- (b) Remove the 4 nuts and seat vibrator assembly.
- (c) Employ the same manner described above to the other side.

**12. REMOVE LUMBER SUPPORT ADJUSTER ASSEMBLY**

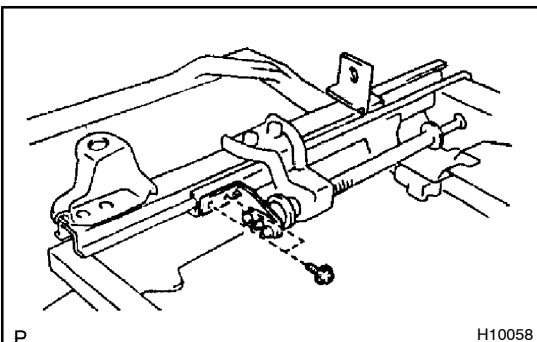
- (a) Disconnect the connector.
- (b) Remove the 2 bolts and lumber support adjuster assembly.



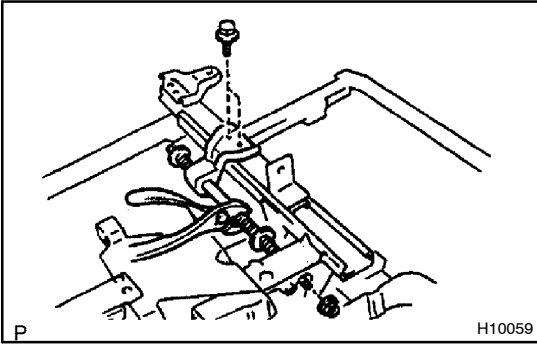
- (c) Remove the 3 screws and lumber support motor.
- (d) Employ the same manner described above to the other side.

**13. REMOVE SEATBACK INNER AND OUTER ADJUSTERS**

- (a) Remove the 6 nuts.
- (b) Remove the outer and inner adjusters.
- (c) Employ the same manner described above to the other side.

**14. REMOVE SCREW SUPPORT BUSHING (for slide)**

- (a) Remove the 2 screws and screw support bushing and travel jack bracket.
- (b) Remove the 2 screws and screw support bushing from the travel jack bracket.

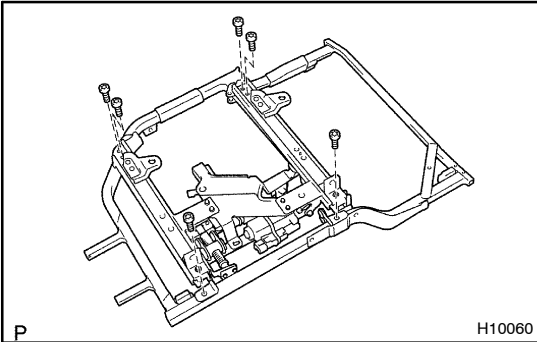


### 15. REMOVE REAR SEAT HORIZONTAL TRAVEL JACK SCREW

- (a) Using pliers, hold the screw stopper to fix the rear seat horizontal travel jack screw and remove the nut and 2 washers.

**Torque: 4.9 N·m (50 kgf·cm, 43 in·lbf)**

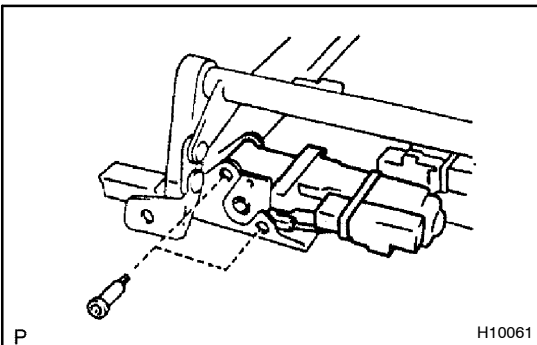
- (b) Remove the 2 bolts and rear seat horizontal travel jack screw.



### 16. REMOVE REAR SEAT STOPPER BRACKET

- (a) Remove the 6 screws and rear seat stopper bracket.

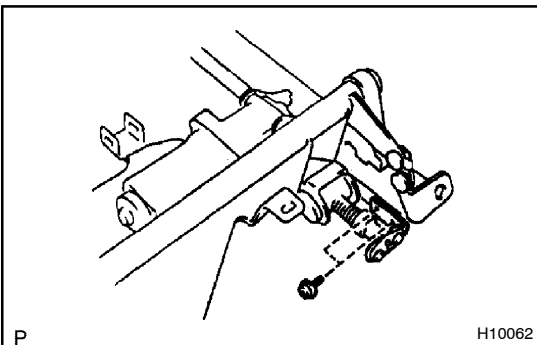
- (b) Remove the 2 lock hooks.



### 17. REMOVE SLIDE MOTOR

Remove the 2 screws and slide motor.

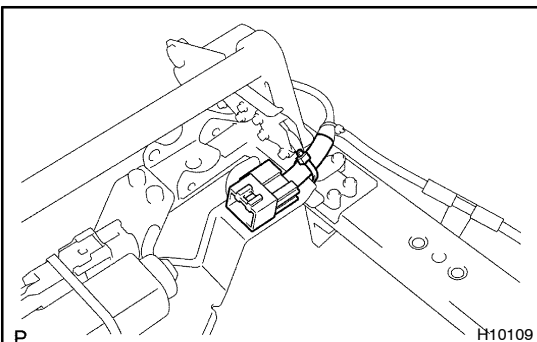
**Torque: 4.9 N·m (50 kgf·cm, 43 in·lbf)**



### 18. REMOVE SCREW SUPPORT BUSHING (for vertical)

- (a) Remove the 2 screws and screw support bushing and travel jack bracket.

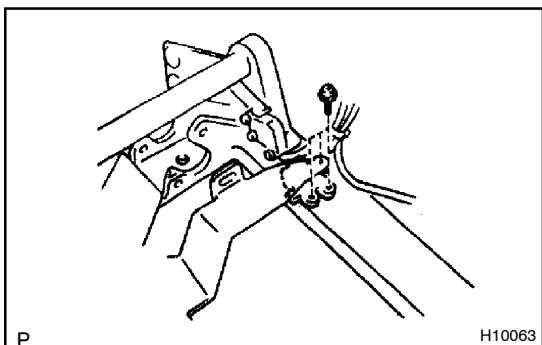
- (b) Remove the 2 screws and screw support bushing from the travel jack bracket.



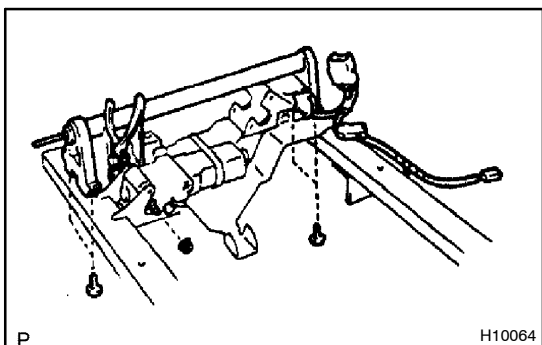
### 19. REMOVE FRONT VERTICAL LINK ASSEMBLY

- (a) Remove the band clamp and connector.

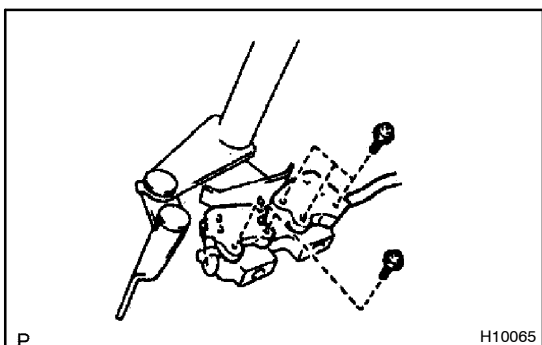
## BODY - REAR SEAT



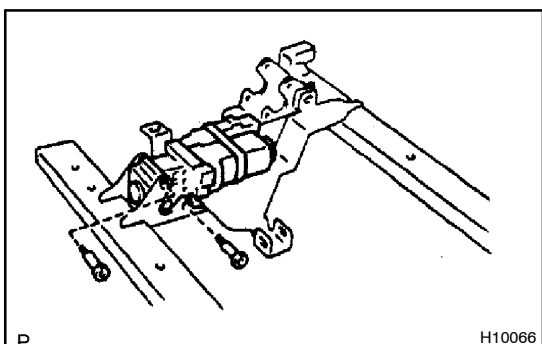
- (b) Remove the 3 screws and limit switch.



- (c) Using pliers, hold the screw stopper to fix the rear seat horizontal travel jack screw and remove the nut and washer.  
 (d) Remove the 4 screws, washer and front vertical link assembly.

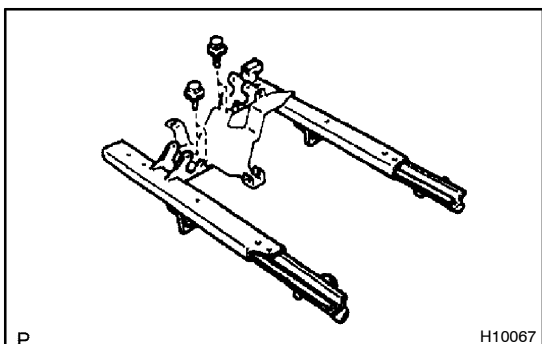
**20. REMOVE LIMIT SWITCH**

Remove the 6 screws and limit switch.

**21. REMOVE VERTICAL MOTOR**

Remove the 2 screws and vertical motor.

**Torque: 4.9 N·m (50 kgf·cm, 43 in·lbf)**

**22. REMOVE REAR SEAT MOTOR SUPPORT BRACKET**

Remove the 4 bolts and rear seat motor support bracket.