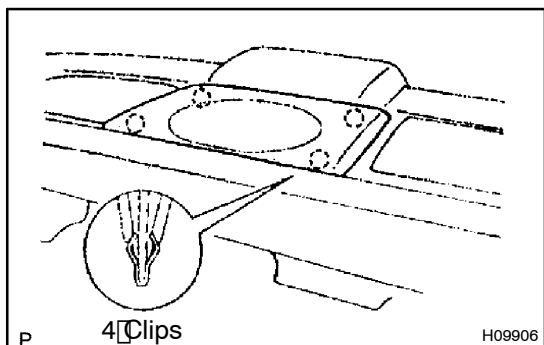


REMOVAL

1. REMOVE REAR SEAT (See page BO-139)

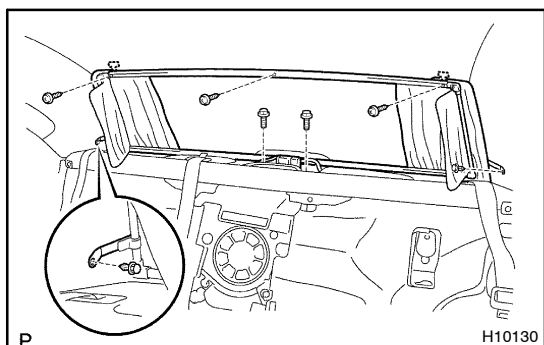


2. REMOVE SPEAKER GRILLE

Using a screwdriver, remove the speaker grille.

HINT:

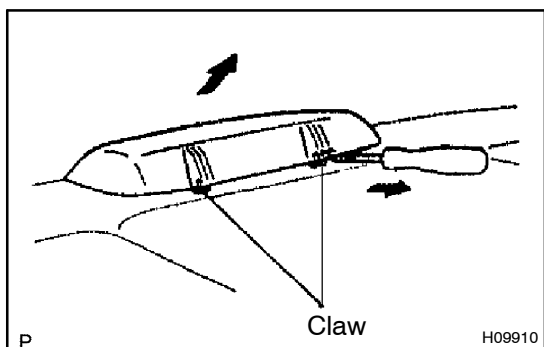
Tape the screwdriver tip before use.



3. w/ Back window curtain:

REMOVE POWER CURTAIN ASSEMBLY

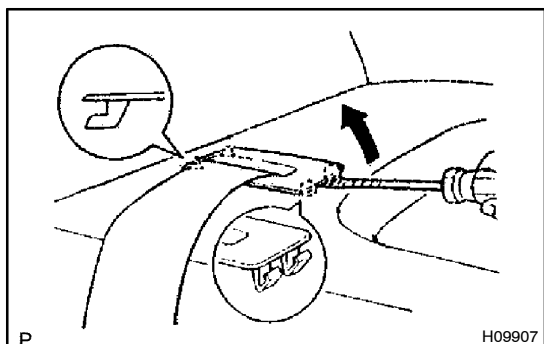
- (a) Disconnect the connector.
- (b) Remove the 2 bolts, 3 screws, 2 clips and power curtain assembly.



4. REMOVE CENTER STOP LIGHT ASSEMBLY

- (a) Using a screwdriver, remove the center stop light assembly as shown in the illustration.
- (b) Disconnect the connector.

5. REMOVE REAR SEAT OUTER AND CENTER BELT FLOOR ANCHORS



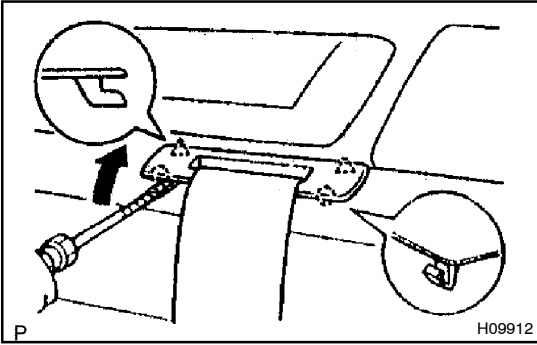
6. REMOVE REAR SEAT OUTER BELT BEZEL

- (a) Using a screwdriver, remove the bezel as shown in the illustration.

HINT:

Tape the screwdriver tip before use.

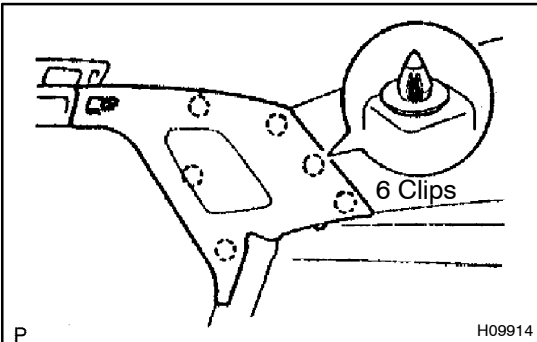
- (b) Employ the same manner described above to the other side.

**7. REMOVE REAR SEAT CENTER BELT BEZEL**

Using a screwdriver, remove the bezel.

HINT:

Tape the screwdriver tip before use.

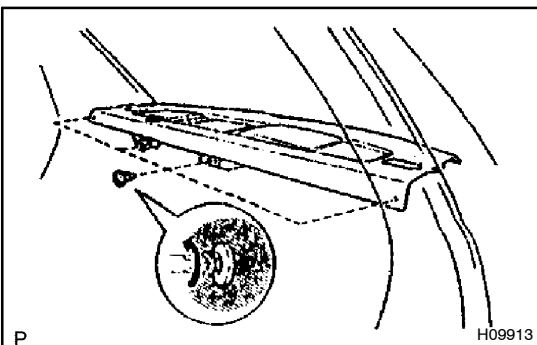
8. REMOVE REAR DOOR OPENING TRIM WEATHERSTRIPS**9. REMOVE ASSIST GRIPS****10. REMOVE ROOF SIDE INNER GARNISH**

(a) Using a screwdriver, remove the roof side inner garnish.

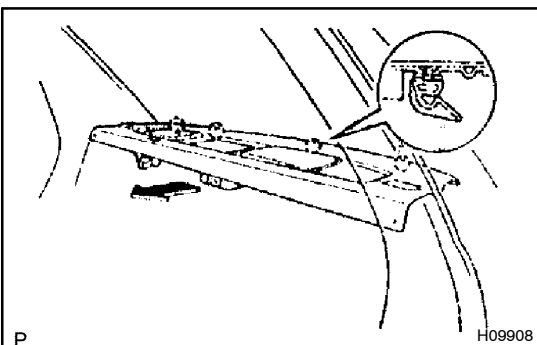
HINT:

Tape the screwdriver tip before use.

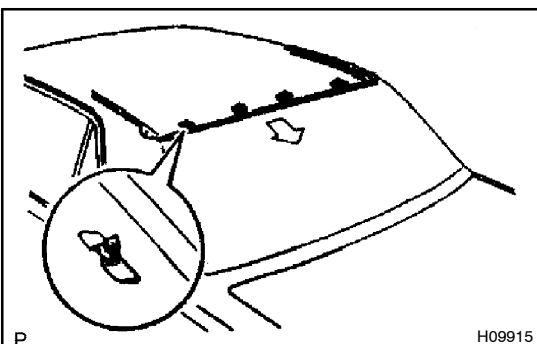
(b) Employ the same manner described above to the other side.

**11. REMOVE PACKAGE TRAY TRIM BOARD**

(a) Remove the 4 clips.



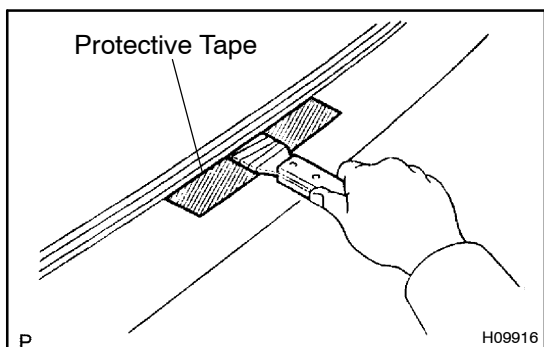
(b) Remove the package tray trim board as shown in the illustration.

**12. REMOVE ROOF HEADLINING**

Remove the rear side of roof headlining.

13. REMOVE BACK WINDOW OUTSIDE MOULDING LOWER

Manually pull the moulding to remove.



14. REMOVE BACK WINDOW OUTSIDE MOULDING UPPER

Disconnect the lower engagement using a scraper wound with protective tape and manually pull the moulding off.

HINT:

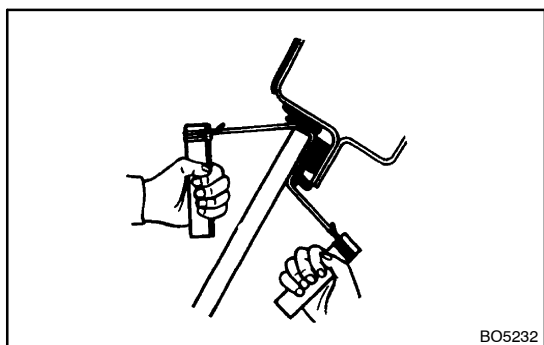
Tape the scraper tip before use.

15. REMOVE BACK WINDOW GLASS

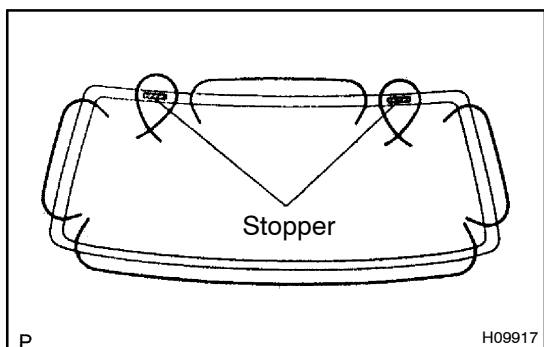
HINT:

When the glass is reused, apply adhesive tape or a like to the glass and body, and draw watching marks using a pen.

- (a) Disconnect the defogger and antenna cord connectors.
- (b) Apply the protective tape onto the body around the outside circumference of back door glass.
- (c) Push piano wire through between the body and glass from the interior.



- (d) Tie both wire ends to wooden blocks or similar objects.



- (e) Cut the adhesive by pulling the piano wire around it as shown in the illustration.

- (f) Remove the back window glass.

NOTICE:

Leave as much of the adhesive on the body as possible when cutting off the glass.