

## REMOVAL

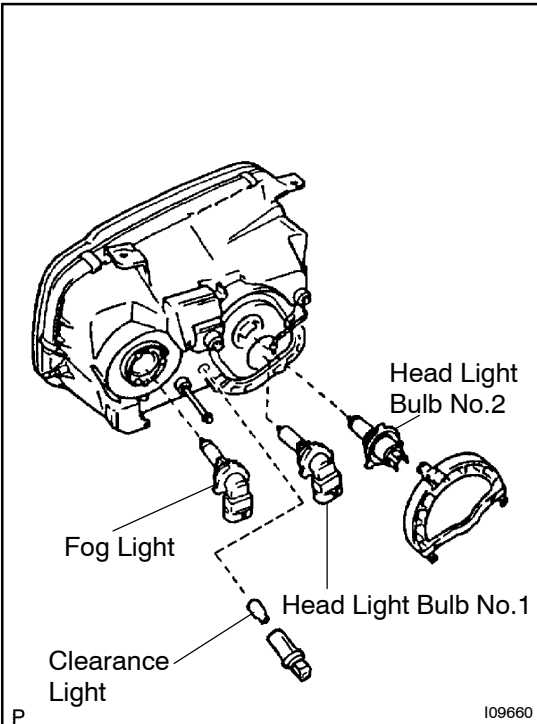
### 1. REMOVAL HEADLIGHT BULB NO.1 AND NO.2

- (a) Disconnect the headlight No.2 connector.
- (b) Remove the locking holder by pulling towards the rear of the vehicle while pulling up the locking holder pin.

HINT:

Pulling up the pin too much may damage it.

- (c) Unlock the socket cover and set spring and remove the bulb.



- (d) Disconnect the headlight No.1 connector.
- (e) Remove the bulb socket and then the bulb.

HINT:

Turn the bulb socket by turning it counterclockwise.

### 2. REMOVE FOG LIGHT BULB

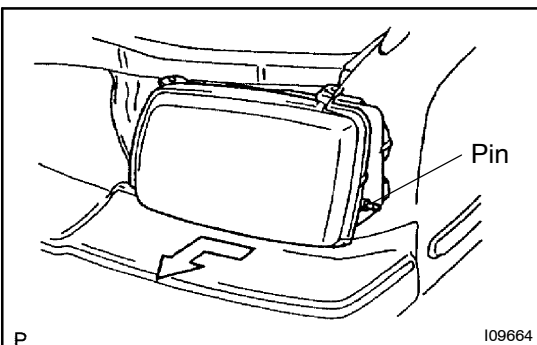
- (a) Disconnect the fog light connector.
- (b) Remove the bulb socket and then the bulb

HINT:

Turn the bulb socket by turning it counterclockwise.

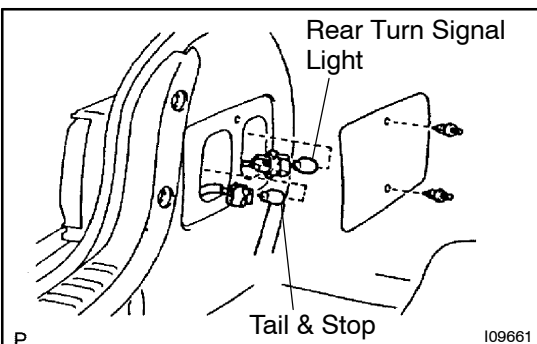
### 3. REMOVE CLEARANCE LIGHT BULB.

Remove the bulb socket and then the bulb.



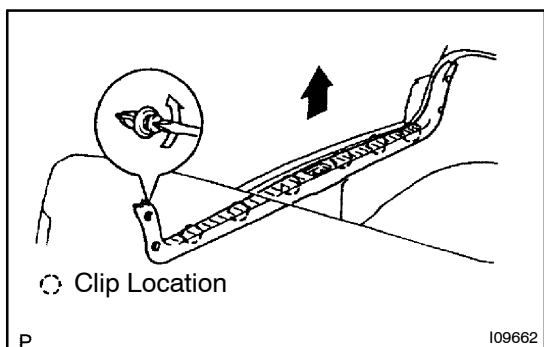
### 4. REMOVAL HEADLIGHT ASSEMBLY

- (a) Remove 3 bolts.
- (b) Pull the headlight assembly towards inside of the vehicle, disconnect the pin and connector, and then remove the assembly.



### 5. REPLACE REAR COMBINATION LIGHT

- (a) Remove the 2 clips and then the luggage compartment trim cover.
- (b) Remove the socket and then the bulb.
- (c) Remove the 4 clips using a (+) screwdriver.
- (d) Remove the luggage compartment lid striker by pulling it up and disconnecting 6 pins.
- (e) Remove luggage compartment trim rear cover.
- (f) Remove the 2 clips using a (+) screwdriver and then the luggage compartment trim cover.



- (g) Remove the 2 clips and then pull out towards inside the vehicle.
- (h) Remove a part of the luggage compartment trim side cover.
- (i) Remove the 4 nuts from inside the vehicle, disconnect the connector and then the rear combination light assembly.

#### 6. REMOVE REAR LIGHT ASSEMBLY

- (a) Remove service cover.
- (b) Remove the 5 clips and then the rear combination light service cover.
- (c) Remove rear combination light upper cover.
- (d) Remove the 2 hole plugs.
- (e) Remove the 12 nuts and disconnect the connector and remove the rear light assembly.