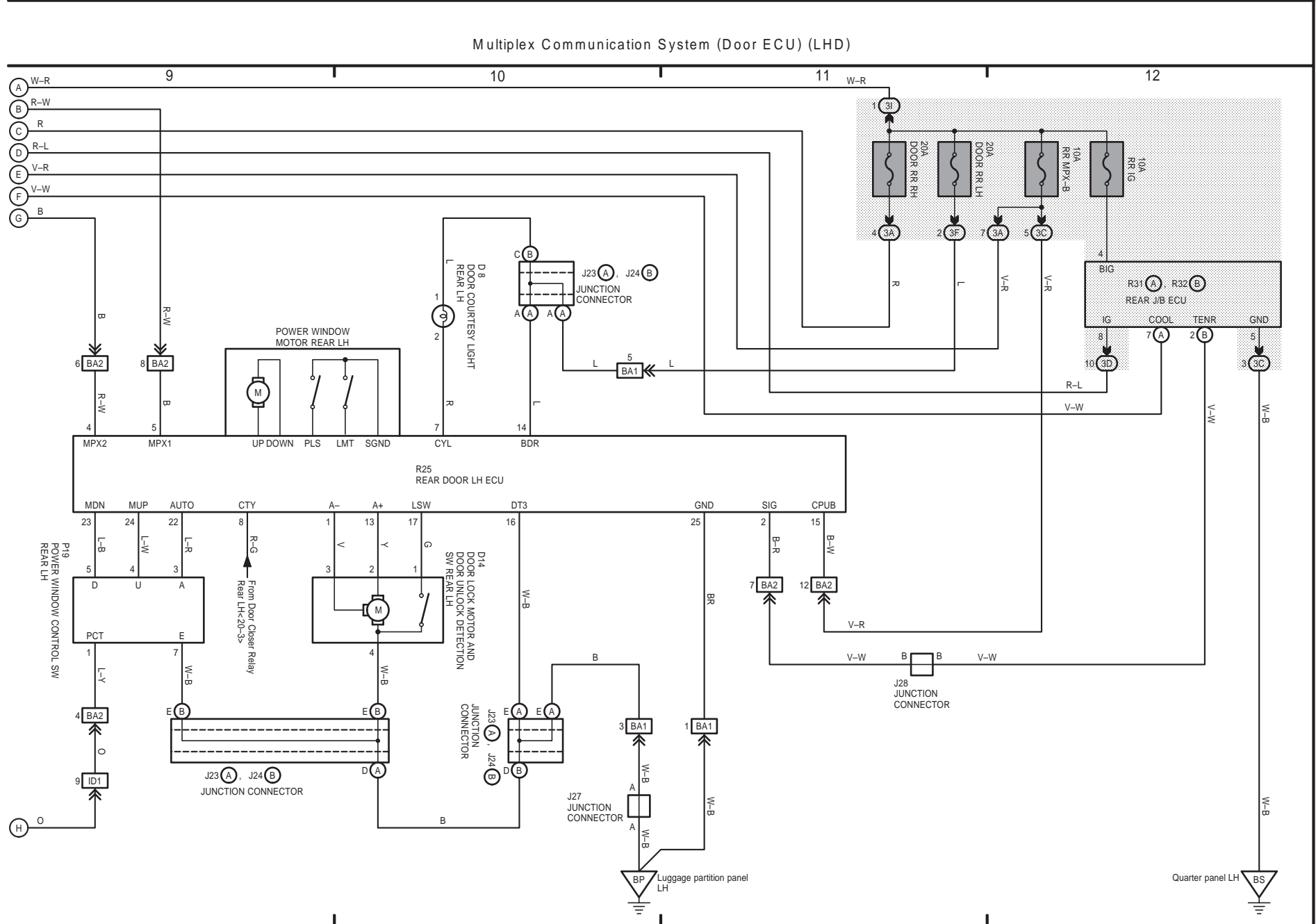
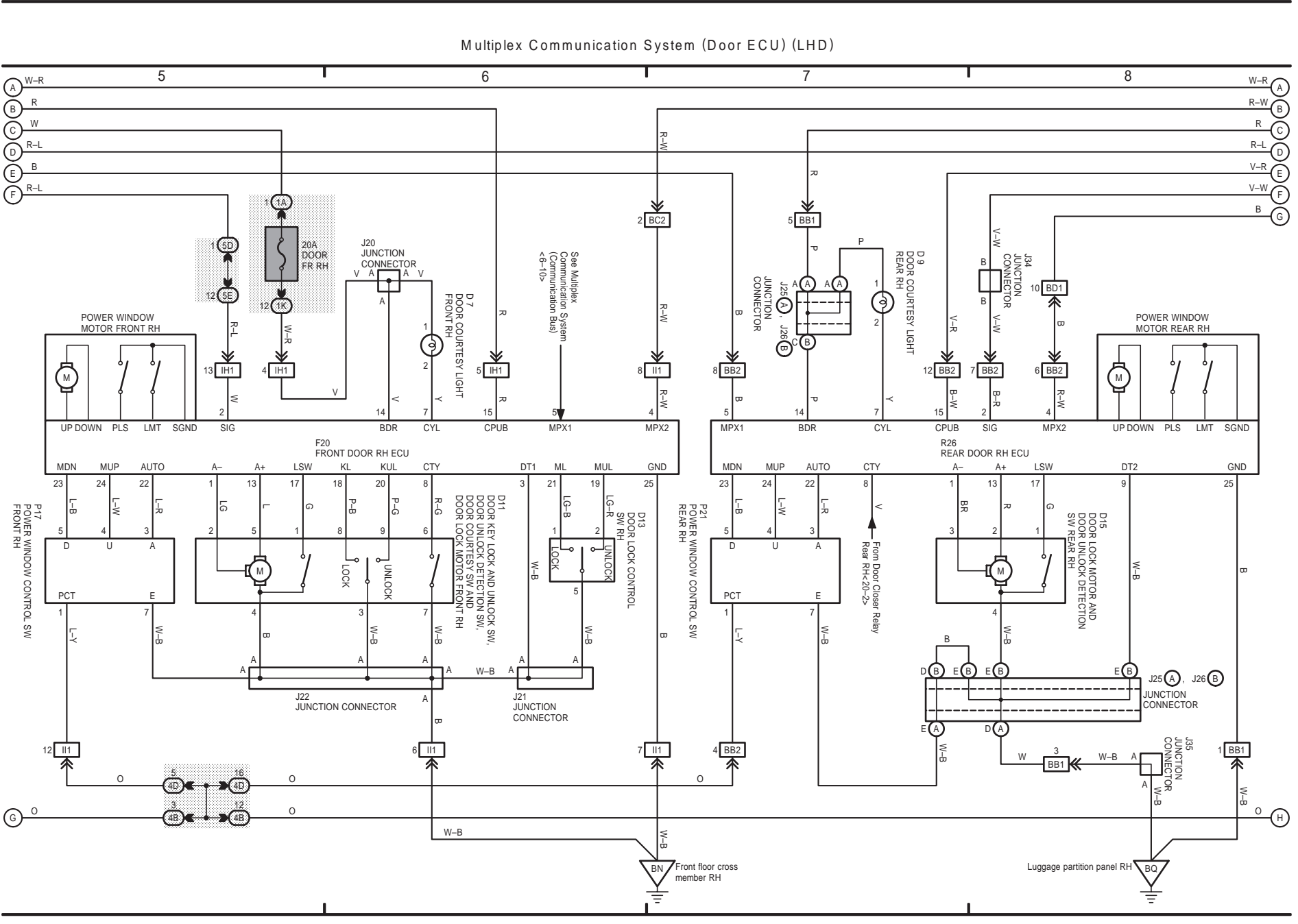


OVERALL ELECTRICAL WIRING DIAGRAM

CENTURY (EWD366F)



OVERALL ELECTRICAL WIRING DIAGRAM

CENTURY (EWD366F)