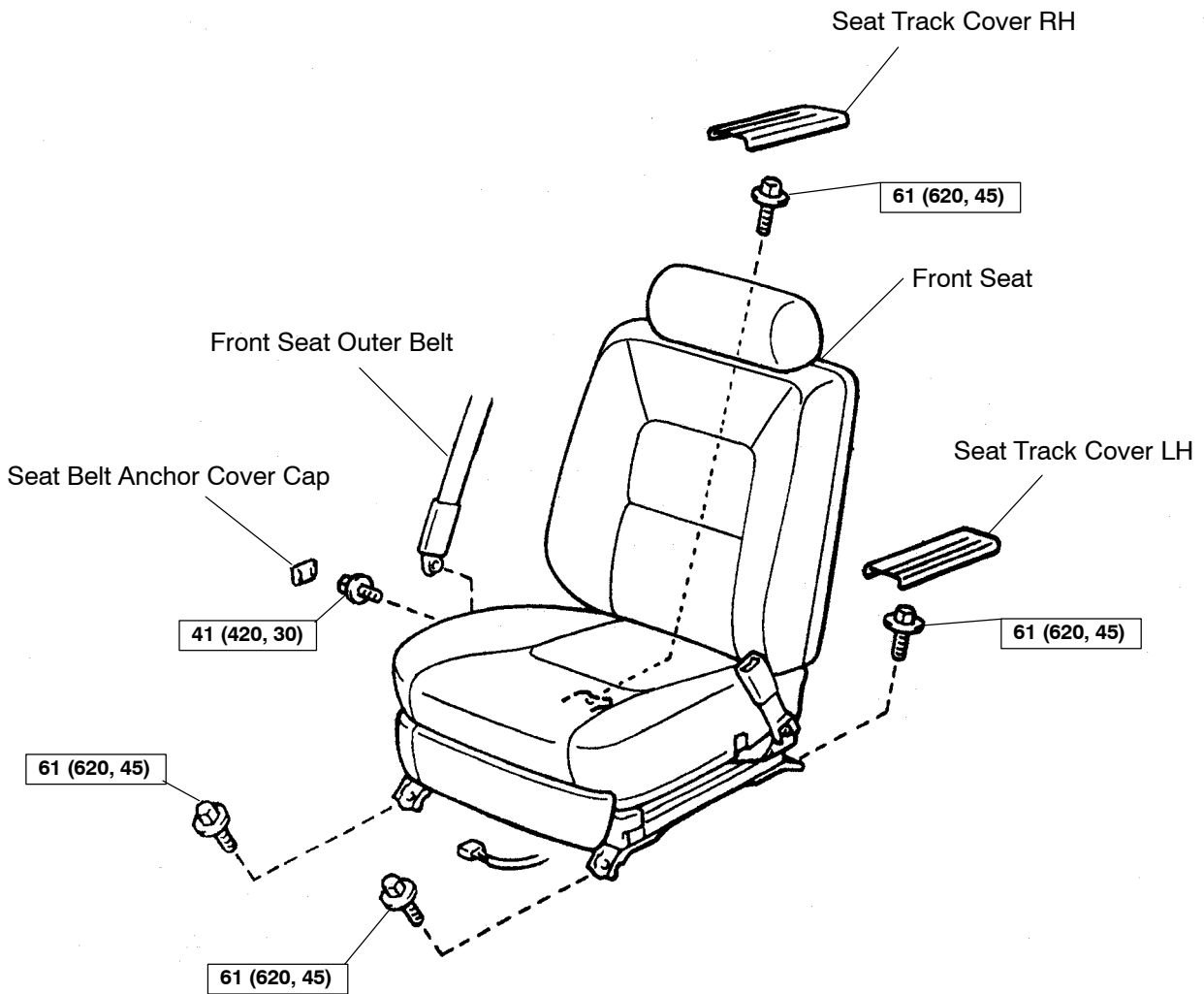


FRONT SEAT COMPONENTS

BO2AB-01

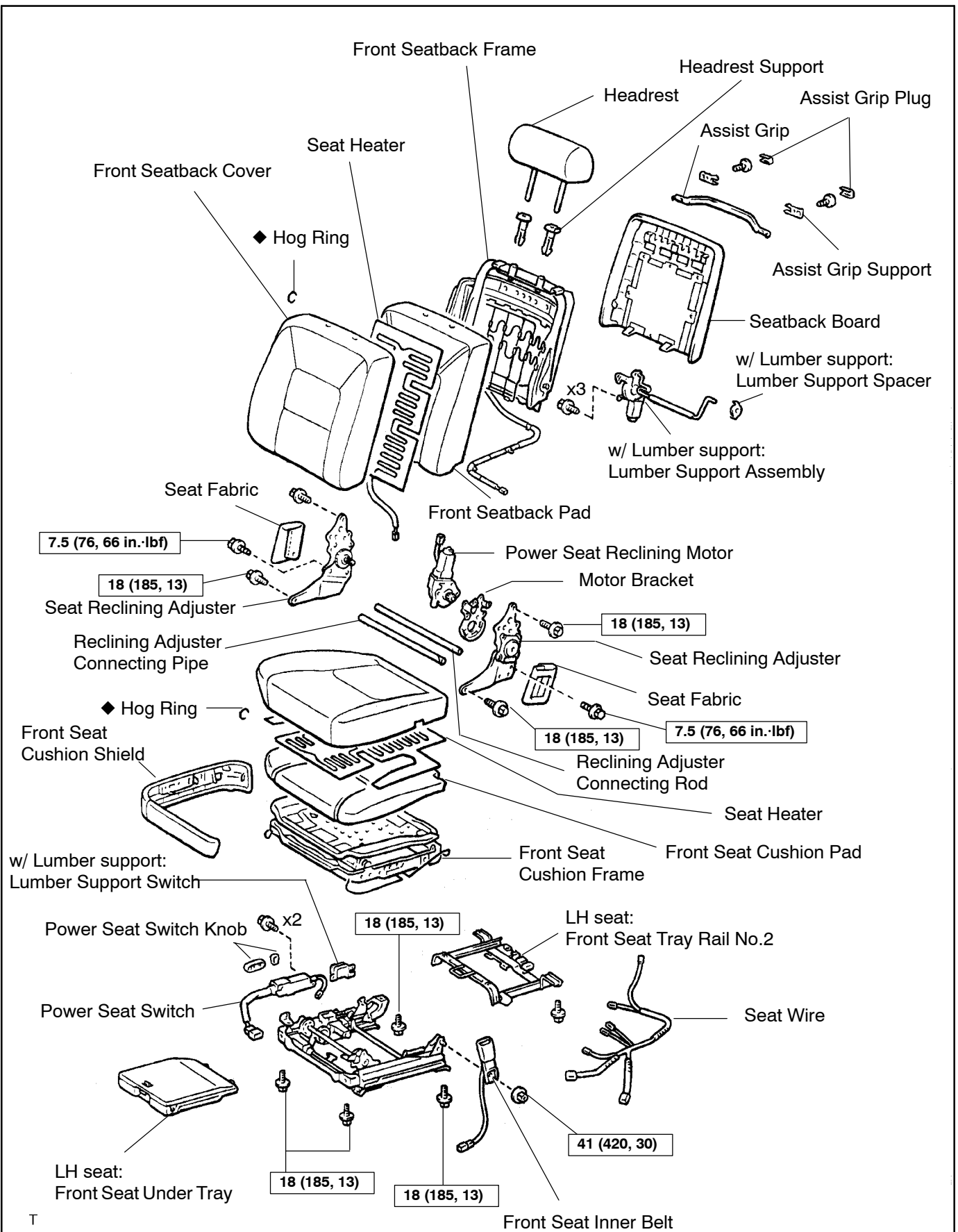


T

N·m (kgf·cm, ft·lbf) : Specified torque

H09979

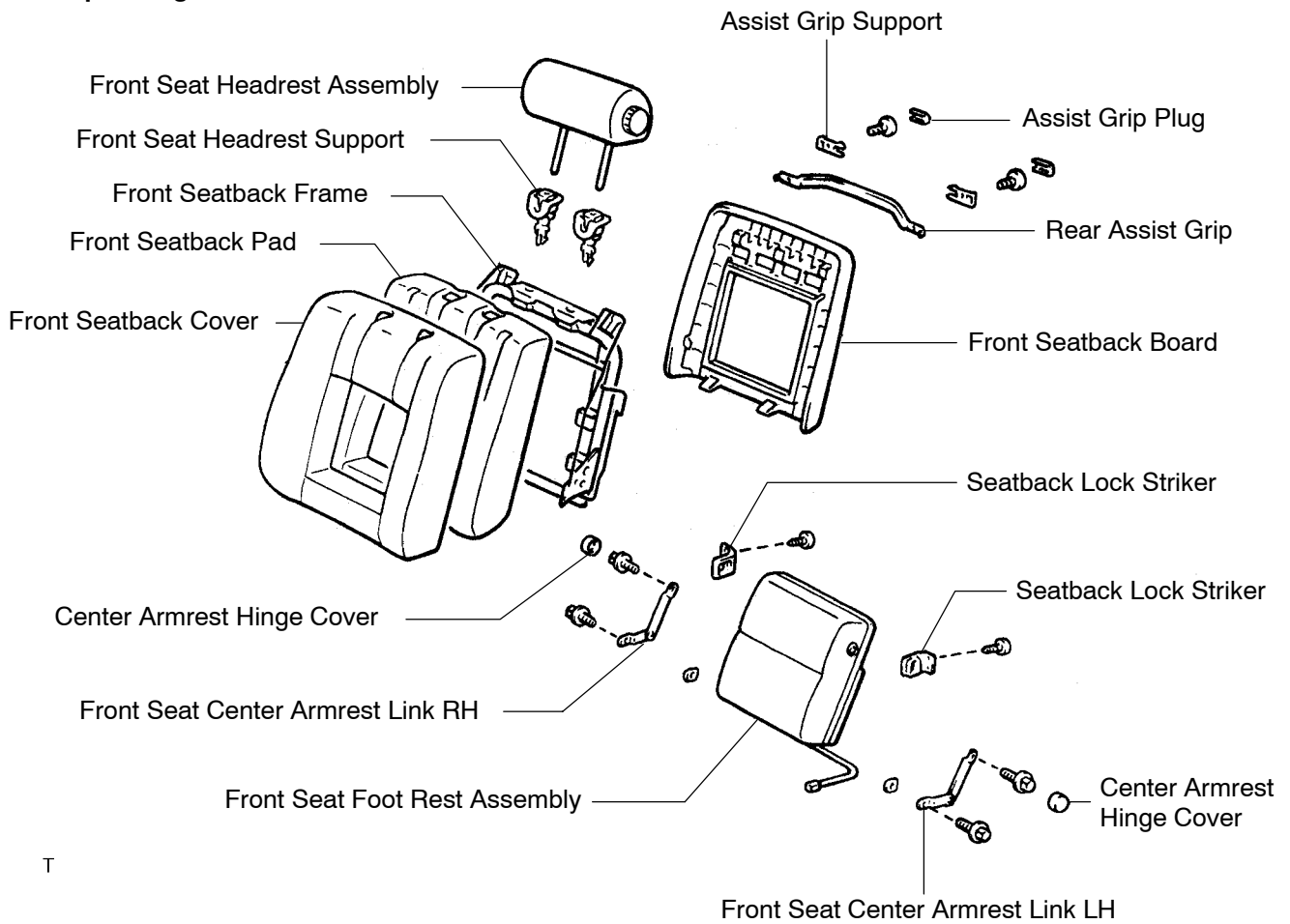
BODY - FRONT SEAT



T
 N·m (kgf·cm, ft·lbf) : Specified torque

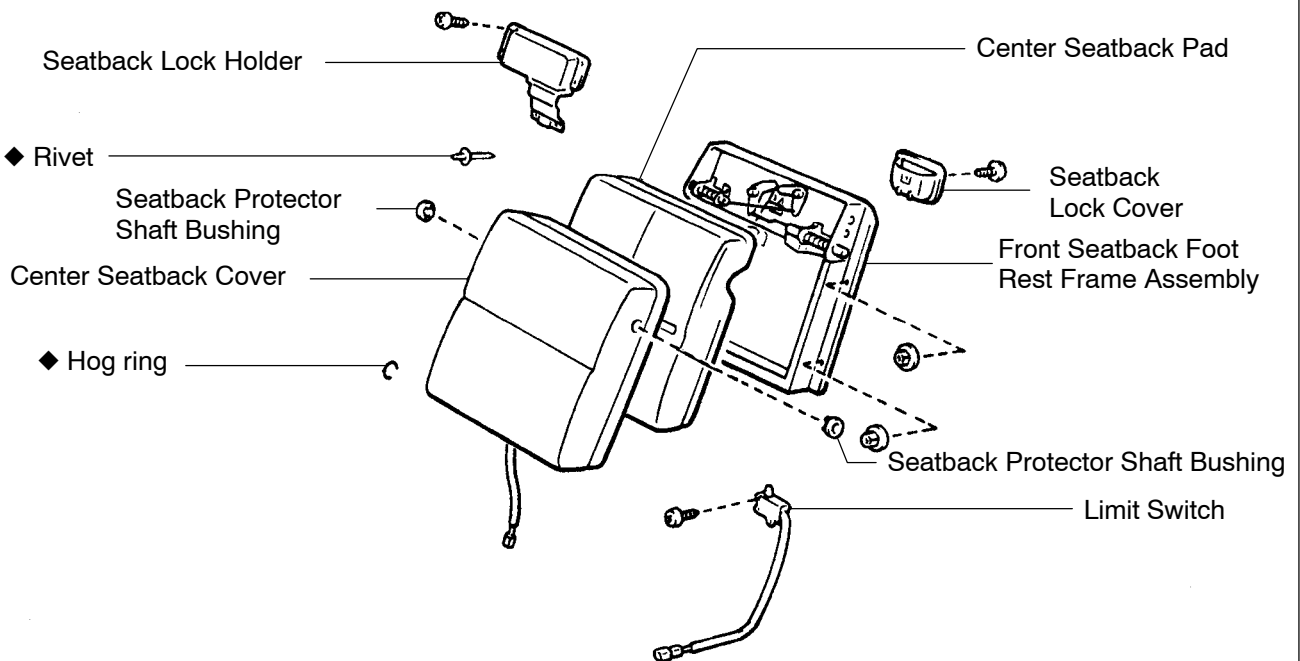
◆ Non-reusable part

RHD passenger's seat:



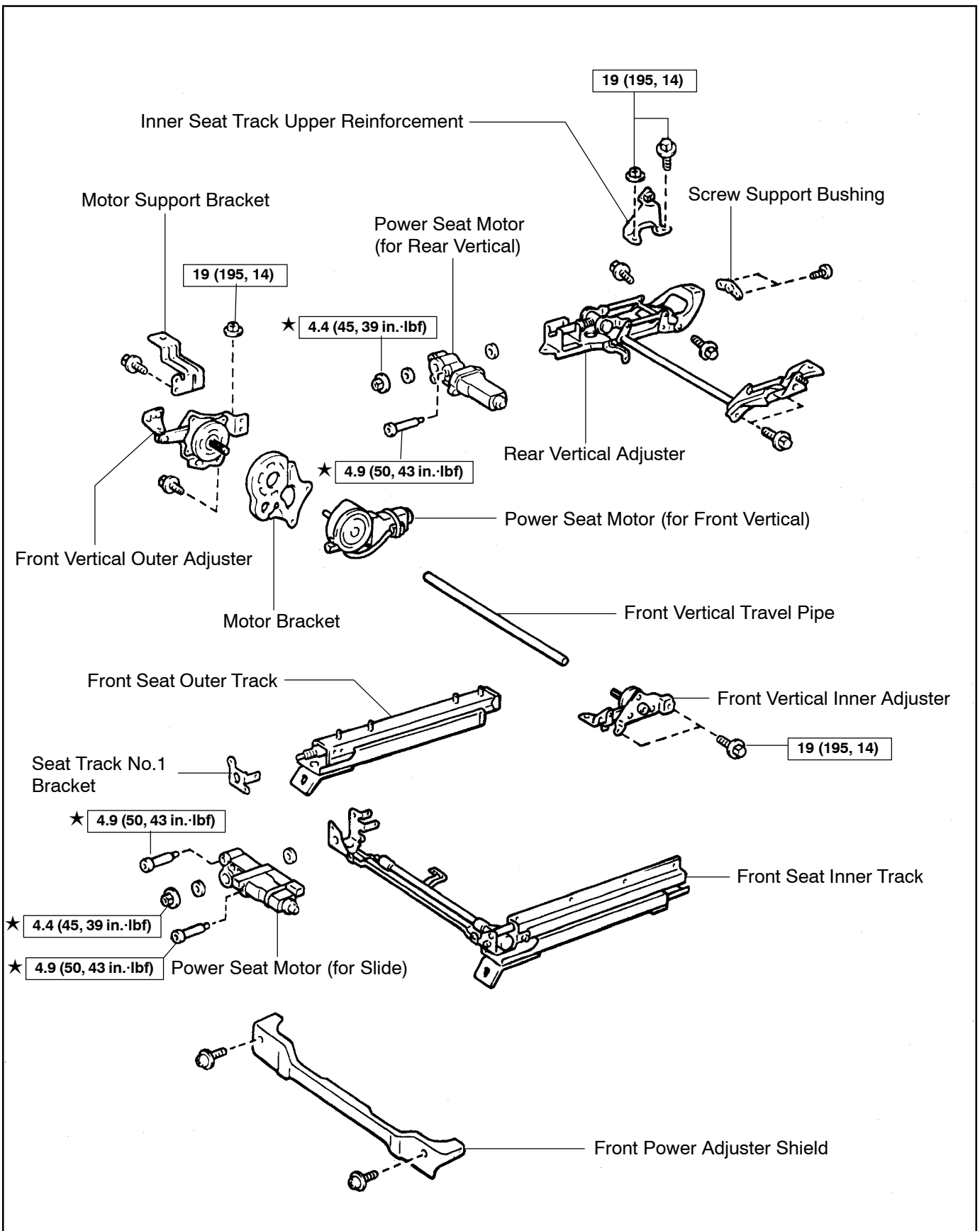
T

Front seat foot rest:



◆ Non-reusable part

T



T

N·m (kgf·cm, ft·lbf) : Specified torque

★ Precoated Part

H10017