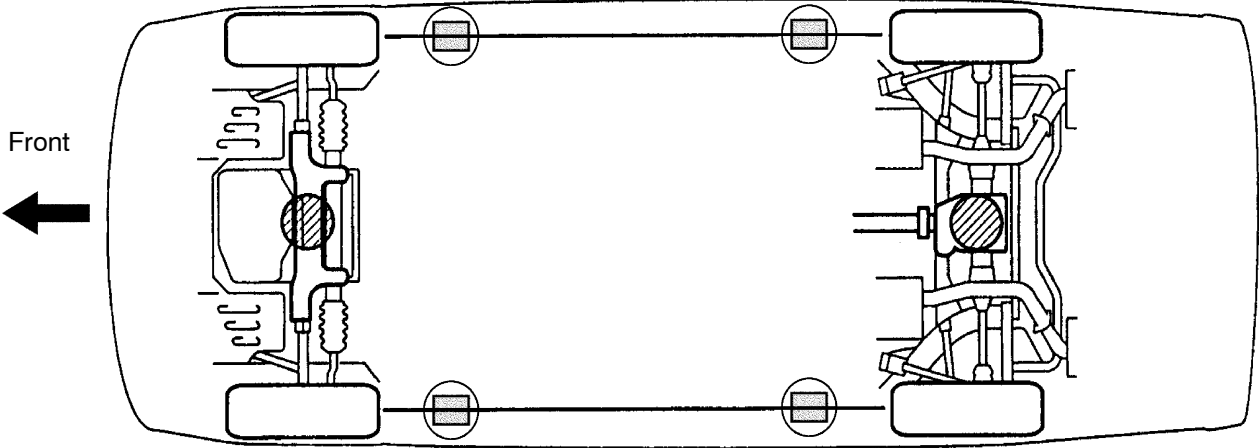
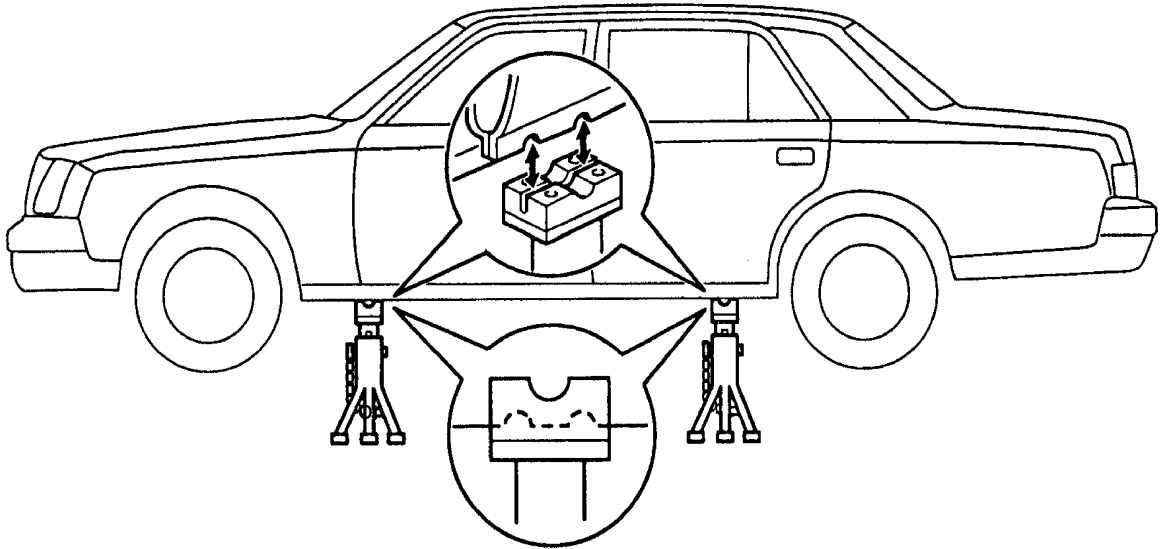
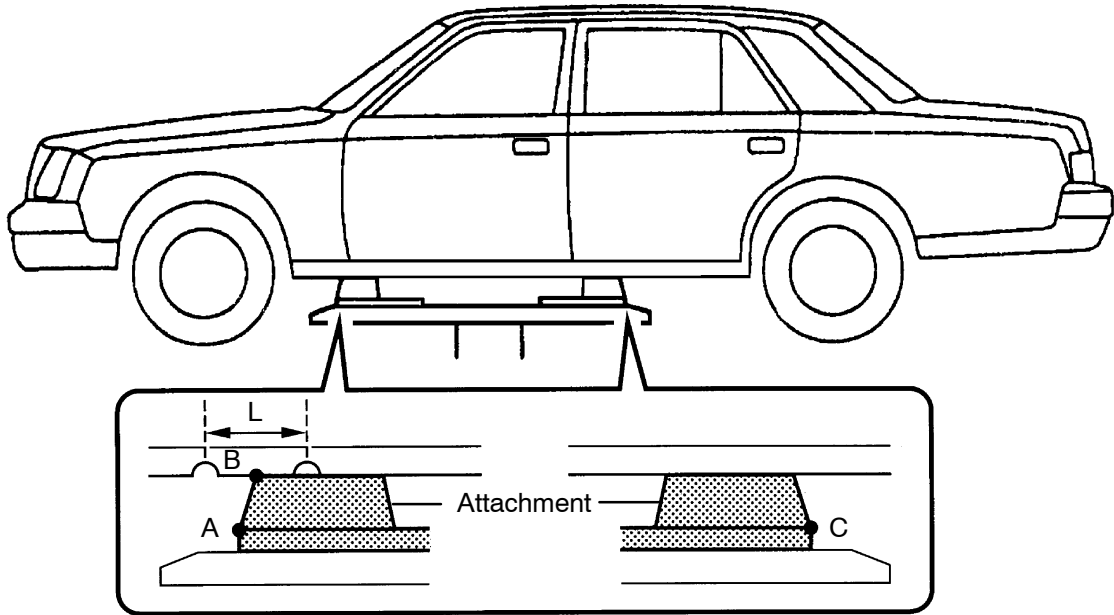


# VEHICLE LIFT AND SUPPORT LOCATIONS



- JACK POSITION** ————— ●
- Front - - - - - Front Crossmember
- Rear - - - - - Rear differential carrier
- CAUTION: Before jacking-up the front and rear, make sure the vehicle is not carrying an extra weight.**
- PANTOGRAPH JACK POSITION** ————— ○
- SUPPORT POSITION**
- Safety stand and swing arm type lift - - - - - ■

Plate type lift:



HINT:

Right and left set position

Place the vehicle over the center of the lift.

Front and rear set position

- Align the cushion gum ends of the plate with the attachment lower ends (A, C).
- Align the attachment upper end (B) with the front jack supporting point (L).

Attachment dimensions

