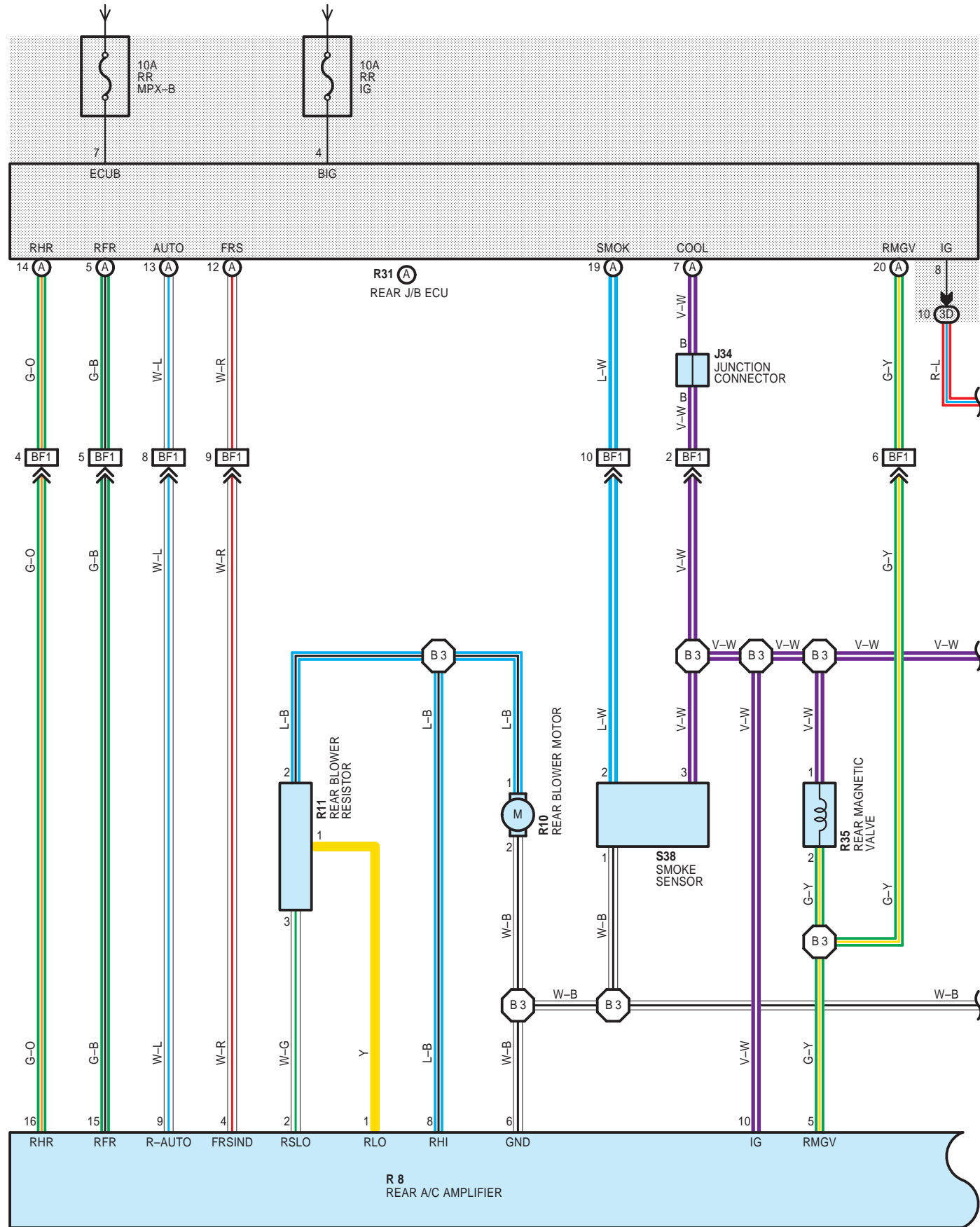


REAR AIR CONDITIONER

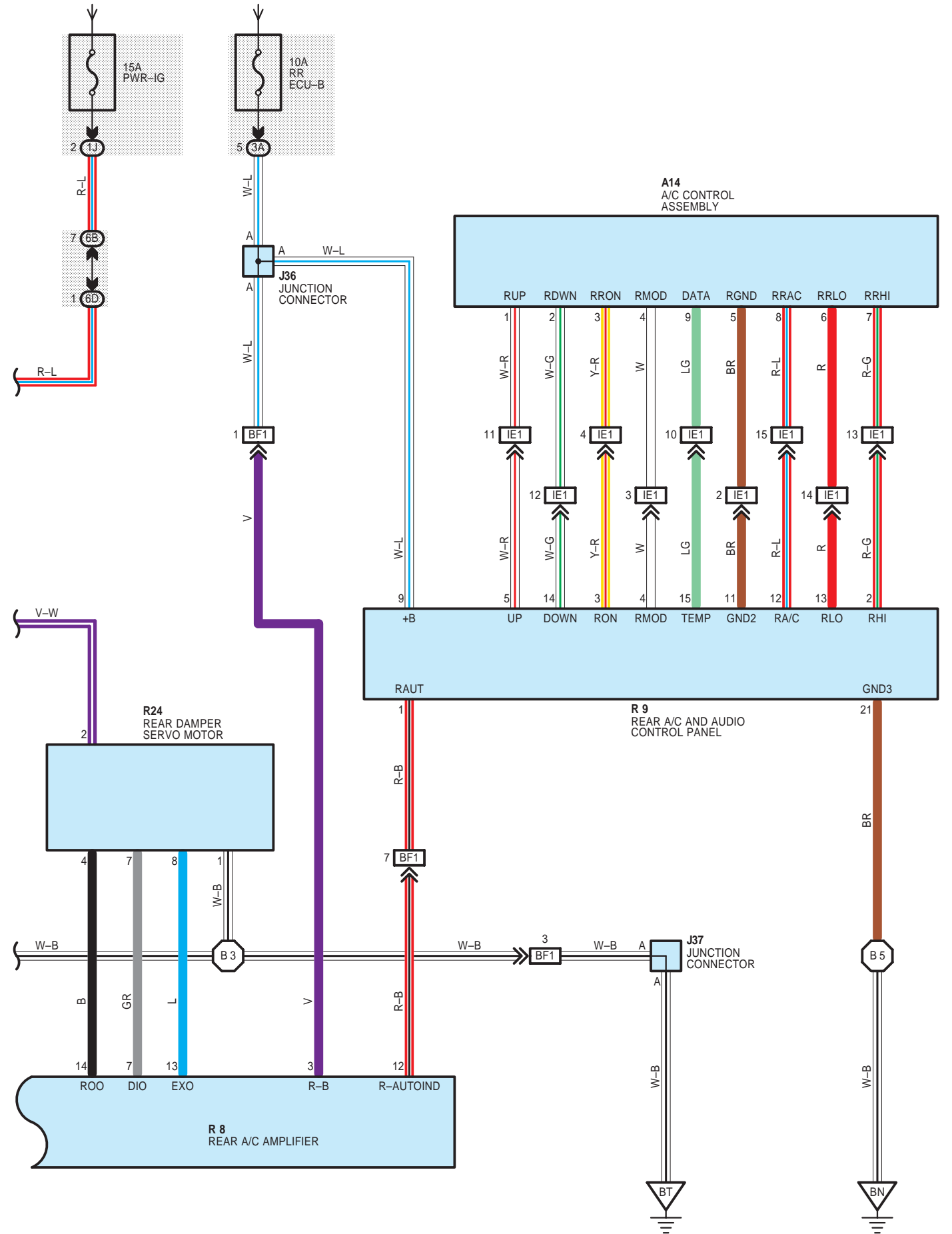
FROM POWER SOURCE SYSTEM (SEE PAGE 162, 166)



502

CENTURY (EWD366F)

FROM POWER SOURCE SYSTEM (SEE PAGE 162, 166)



503

CENTURY (EWD366F)