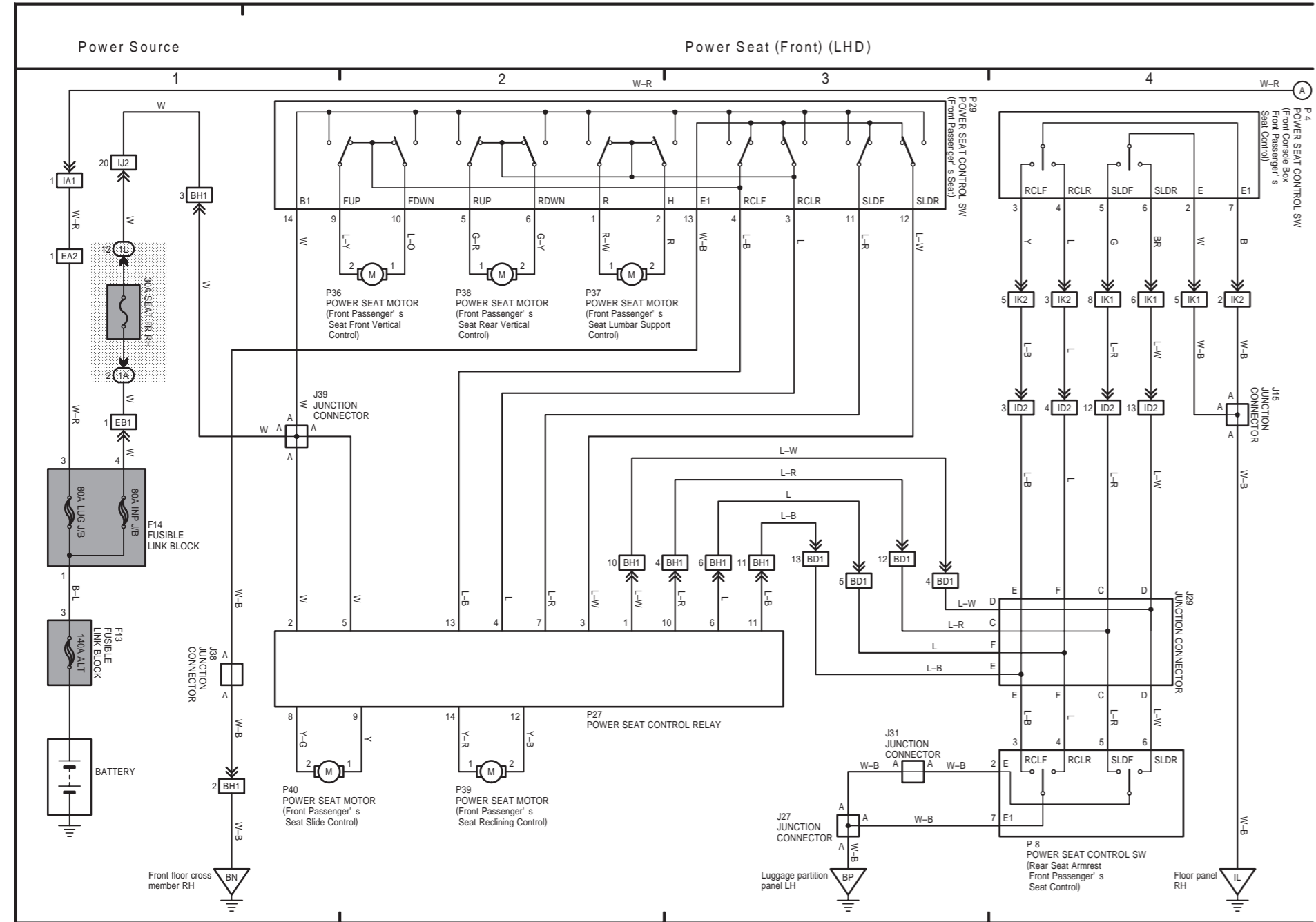


OVERALL ELECTRICAL WIRING DIAGRAM



CENTURY (EWD366F)

