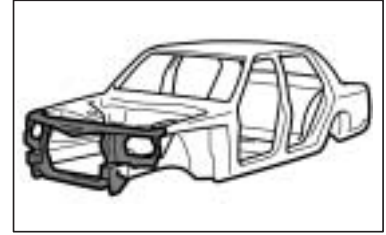
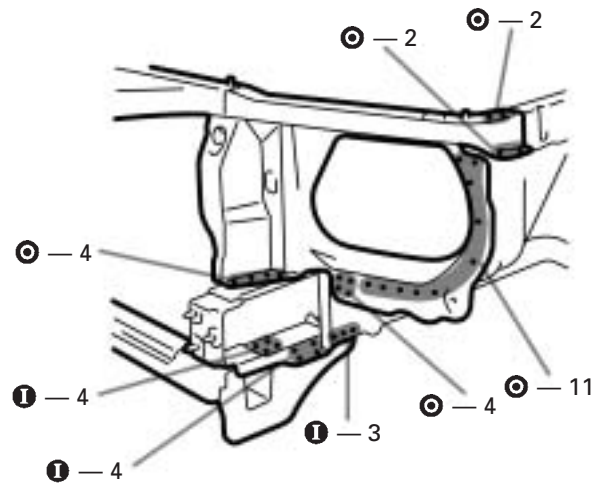
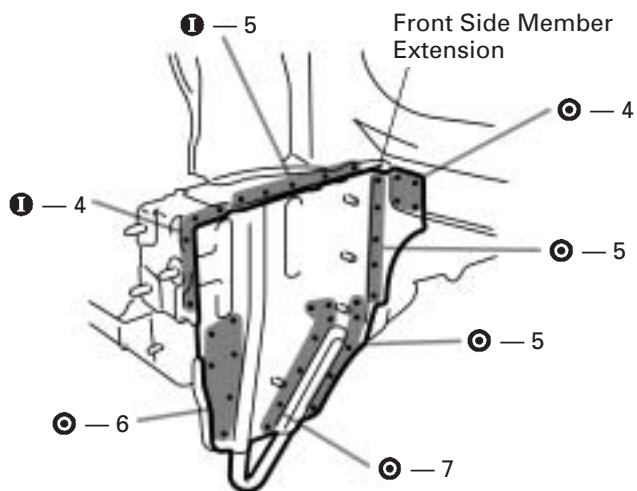
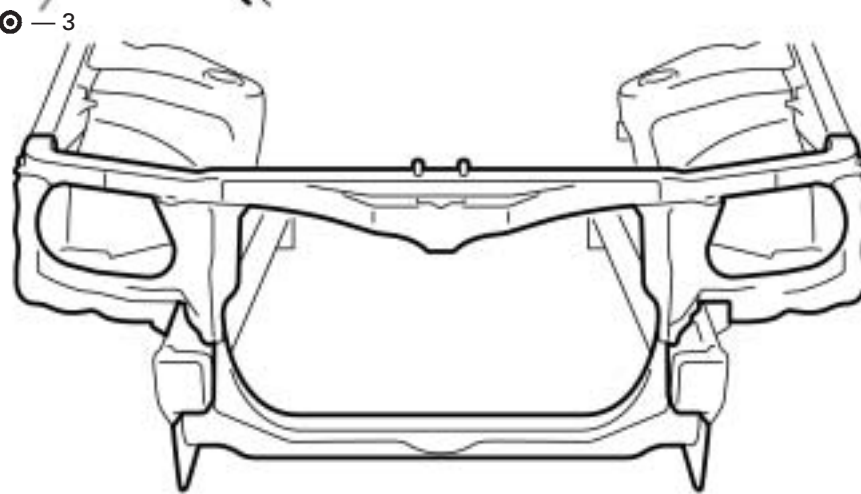
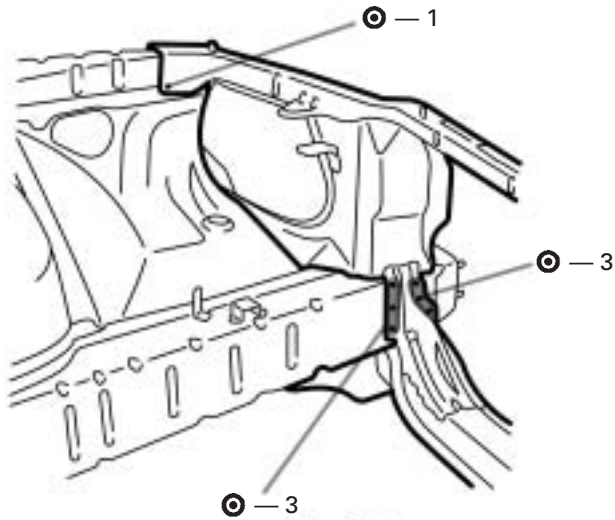


RADIATOR SUPPORT (ASSY)

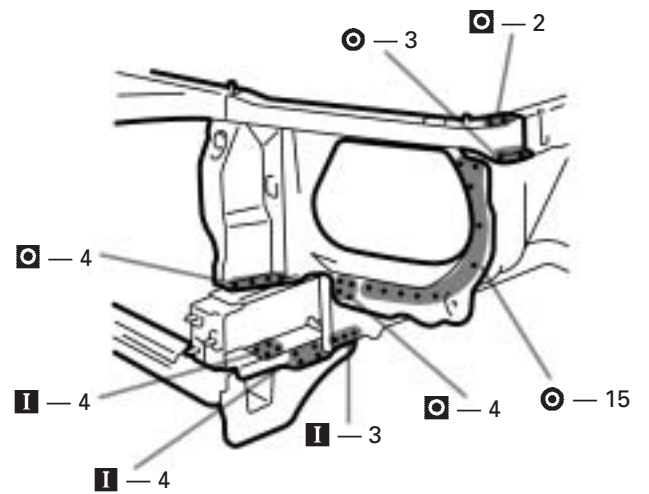
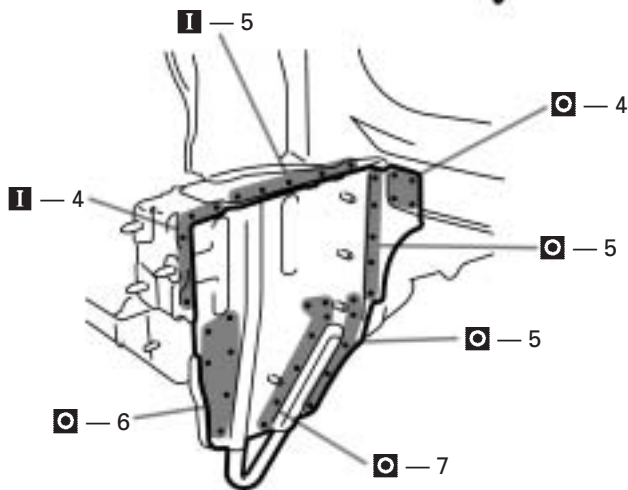
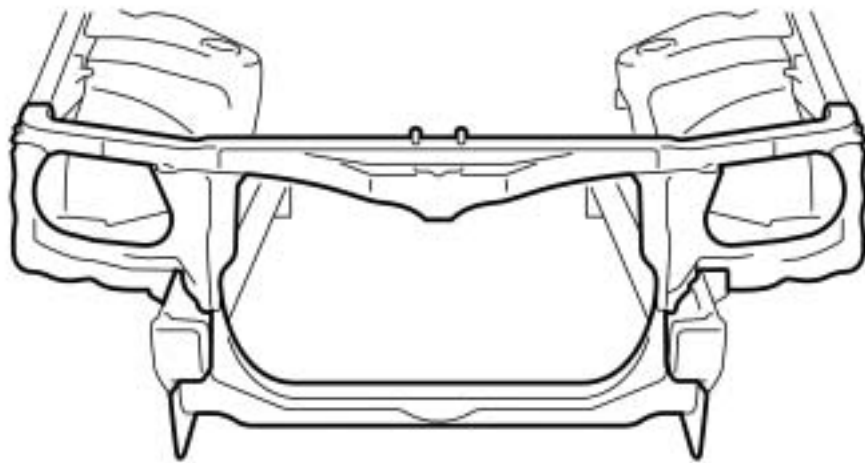
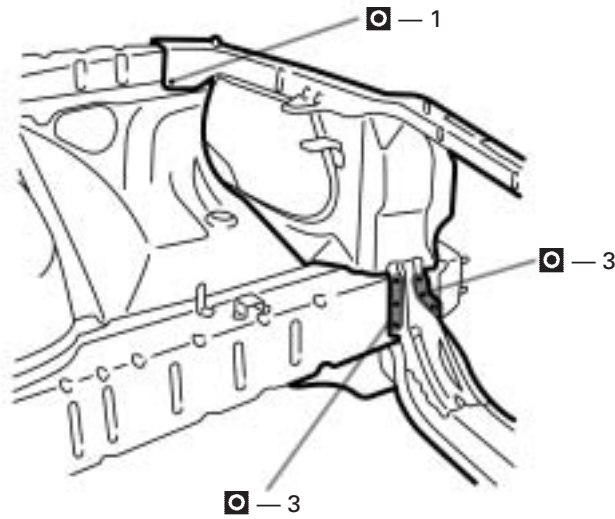


REMOVAL



1. After removing the front side member extension, remove the radiator support.

INSTALLATION



1. Temporarily install the new parts and measure each part in accordance with the body dimension diagram.

HINT: First install the hood lock support.