

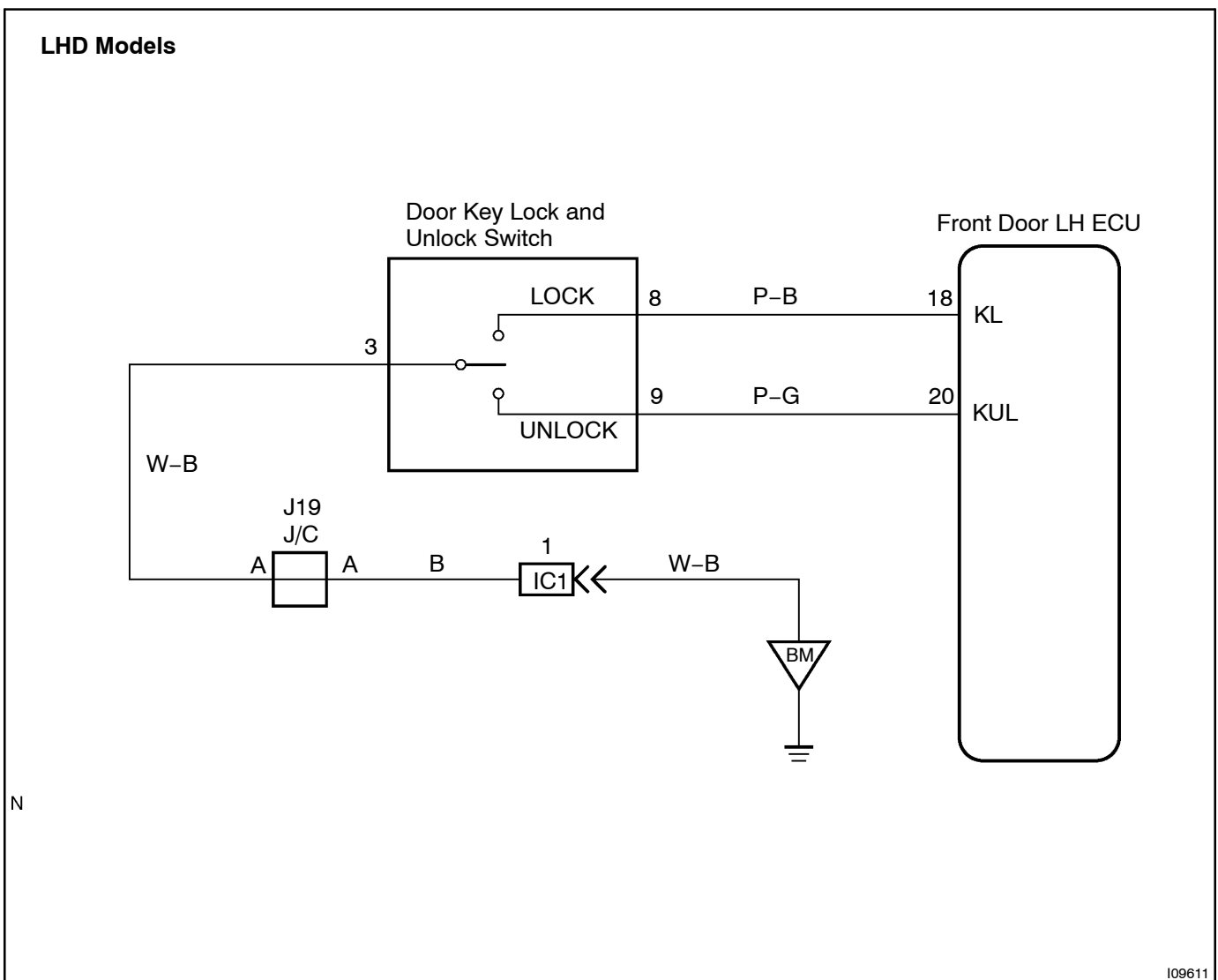
Door key lock and unlock switch circuit

CIRCUIT DESCRIPTION

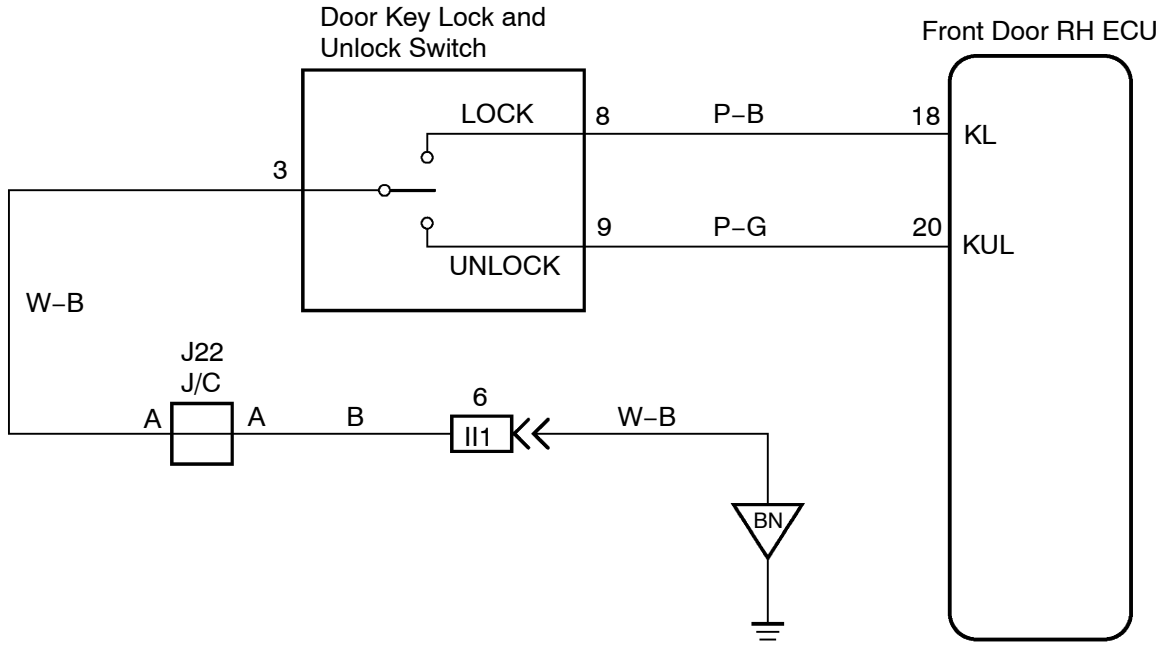
The door key lock and unlock switch is built in the door key cylinder. When the key is turned to the lock side, terminal 3 of the switch is grounded and when the key is turned to the unlock side, terminal 2 of the switch is grounded.

Door key lock and unlock switch can be checked using DTC check. (Refer to DI-733)

WIRING DIAGRAM



RHD Models



N

INSPECTION PROCEDURE

1 Check the door key lock and unlock switch using DTC check.
(See page DI-733)

OK

Proceed to next circuit inspection shown on problem symptoms table (See page DI-554).

NG

2 Check the door key lock and unlock switch. (See page BE-92)

NG

Replace the door key lock and unlock switch.

NG

3 Check wireharness and connector between door key lock and unlock switch and driver door ECU (See page IN-30).

NG

Repair or replace wireharness or connector.

OK

Proceed to next circuit inspection shown on problem symptoms table
(See page DI-554).