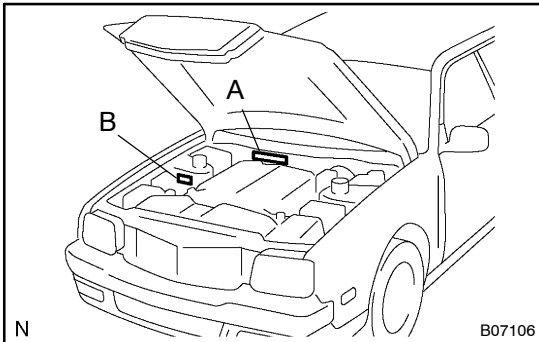


IDENTIFICATION INFORMATION

VEHICLE IDENTIFICATION AND ENGINE SERIAL NUMBER

IN03I-03

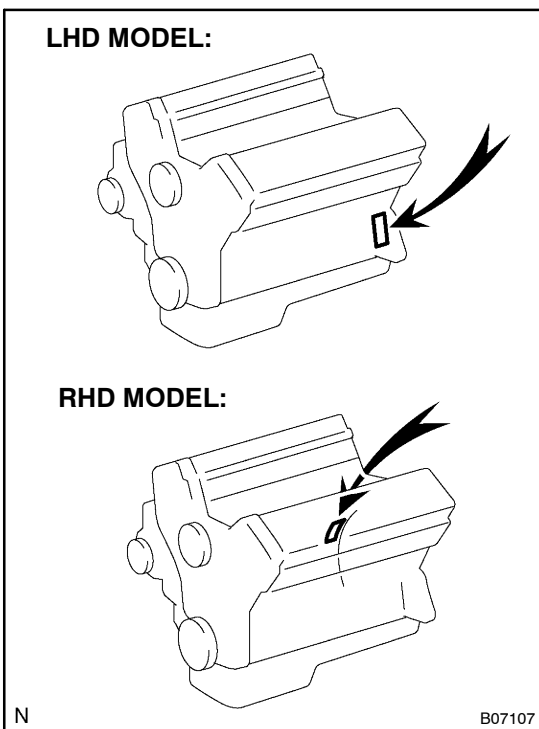


1. VEHICLE IDENTIFICATION NUMBER

The vehicle identification number is stamped on the vehicle identification number plate and the certification label, as shown in the illustration.

A: Vehicle Identification Number Plate

B: Certification Label



2. ENGINE SERIAL NUMBER

The engine serial number is stamped on the engine block as shown in the illustration.