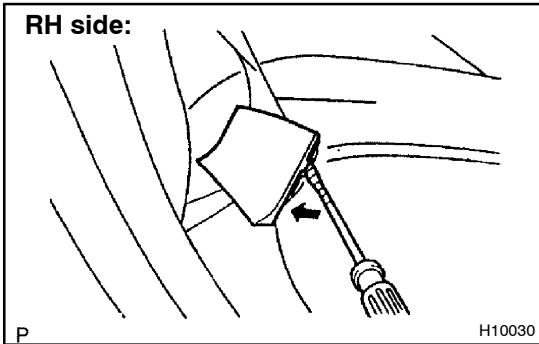


REMOVAL

1. REMOVE SEAT CUSHION ASSEMBLY

- (a) Disengage the clips of seat cushion assembly shown in the illustration.

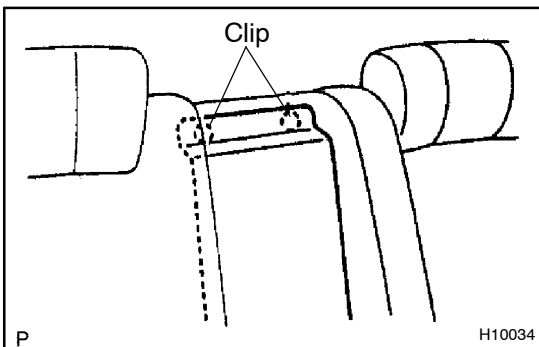


- (b) Using a screwdriver, open the belt protectors, then remove the rear seat outer belts by pulling off.

HINT:

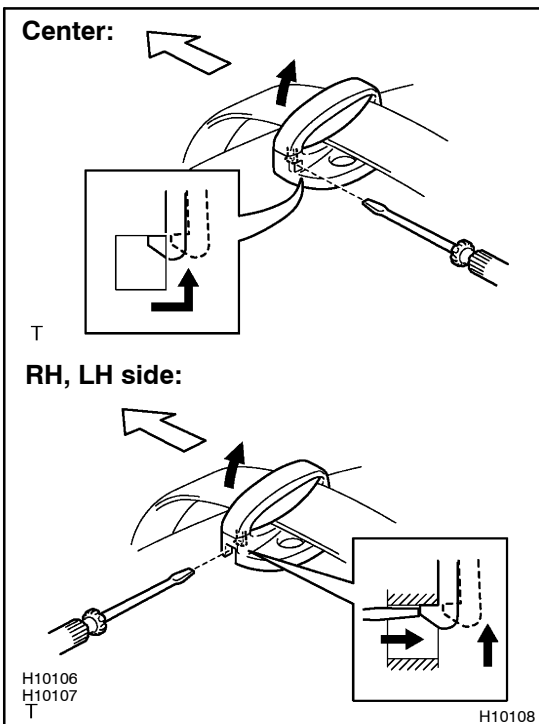
Tape the screwdriver tip before use.

- (c) Disconnect the connectors, then remove the seat cushion assembly.

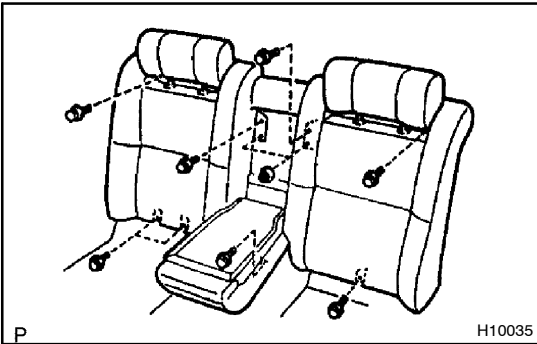


2. REMOVE SEATBACK ASSEMBLY

- (a) Disengage the clips shown in the illustration.



- (b) Using a screwdriver, remove the rear seat belt from the rear seat shoulder belt guide as shown in the illustration.



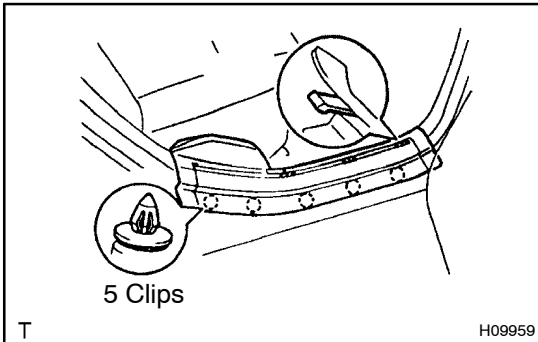
- (c) Remove the 8 bolts, 2 nuts and seatback assembly, then disconnect the connector.

Torque: 19 N·m (195 kgf·cm, 14 ft·lbf)

3. REMOVE REAR SEAT ADJUSTERS

- (a) Disconnect the connectors.
 (b) Remove the 10 bolts and rear seat adjusters.

Torque: 19 N·m (195 kgf·cm, 14 ft·lbf)

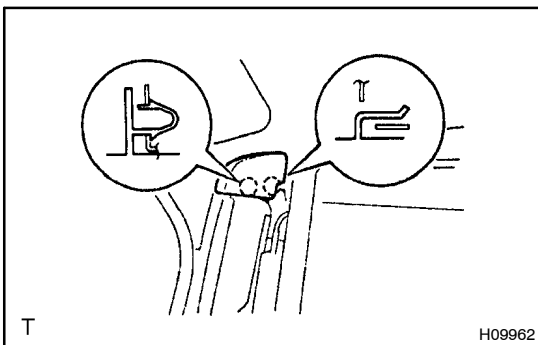


4. REMOVE REAR SEAT SIDE AIRBAG

- (a) Using a screwdriver, remove the rear door scuff plate.

HINT:

Tape the screwdriver tip before use.

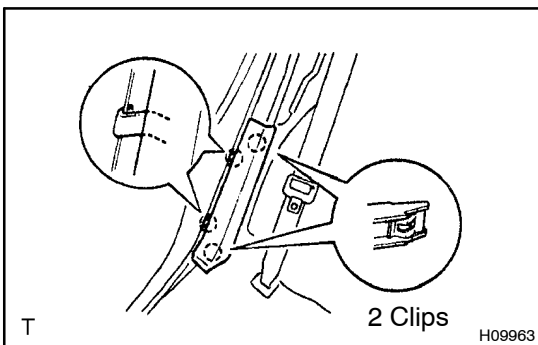


- (b) Using a screwdriver, remove the rear seatback stay cover.

HINT:

Tape the screwdriver tip before use.

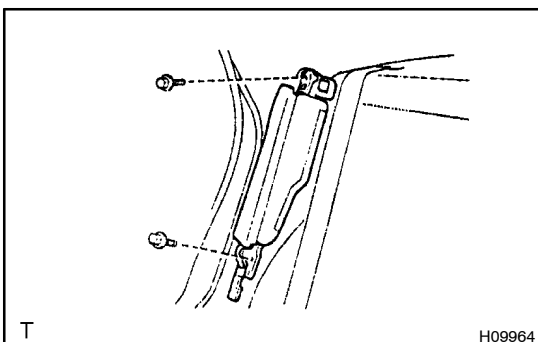
- (c) Remove the rear door opening trim weatherstrip.



- (d) Using a screwdriver, remove the rear side seatback.

HINT:

Tape the screwdriver tip before use.



- (e) Disconnect the connector, then remove the 2 bolts and rear seat side airbag.

Torque: 19 N·m (195 kgf·cm, 14 ft·lbf)

- (f) Employ the same manner described above to the other side.