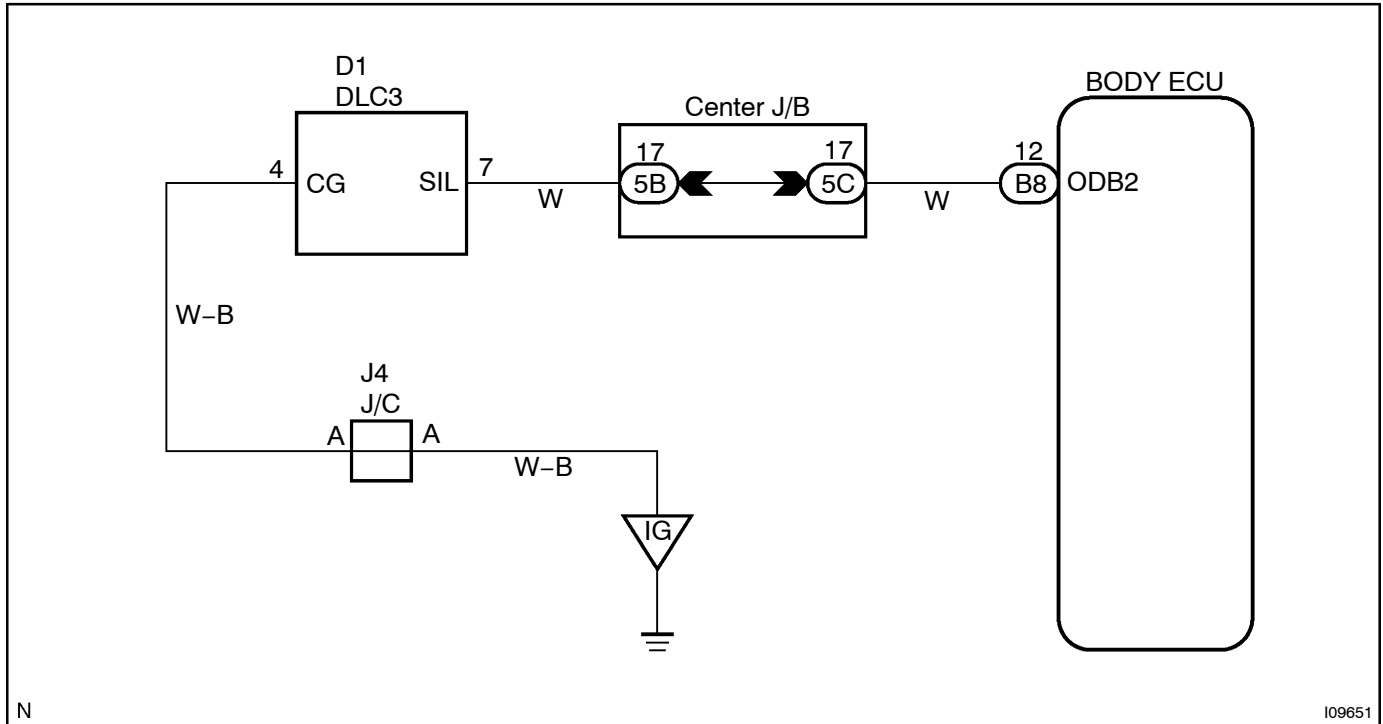


Diagnosis Circuit

CIRCUIT DESCRIPTION

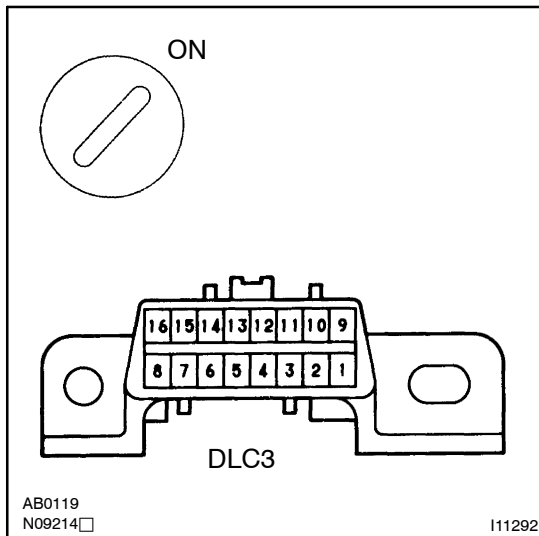
This circuit sends a signal to the ECU that DTC output is required.

WIRING DIAGRAM



INSPECTION PROCEDURE

1 Check voltage between terminals Tc and E₁ of DLC3.

**PREPARATION:**

Turn ignition switch ON.

CHECK:

Measure voltage between terminals SIL(7) and CG(4) of DLC3.

OK:

Voltage: 10 - 14 V

OK

Proceed to next circuit inspection shown in problem symptom table (See page DI-488).

NG

2 Check harness and connector between body control ECU and DLC3, DLC3 and body ground (See page IN-30).

NG

Repair or replace harness or connector.

OK

Check and replace Body Control ECU (See page IN-30).