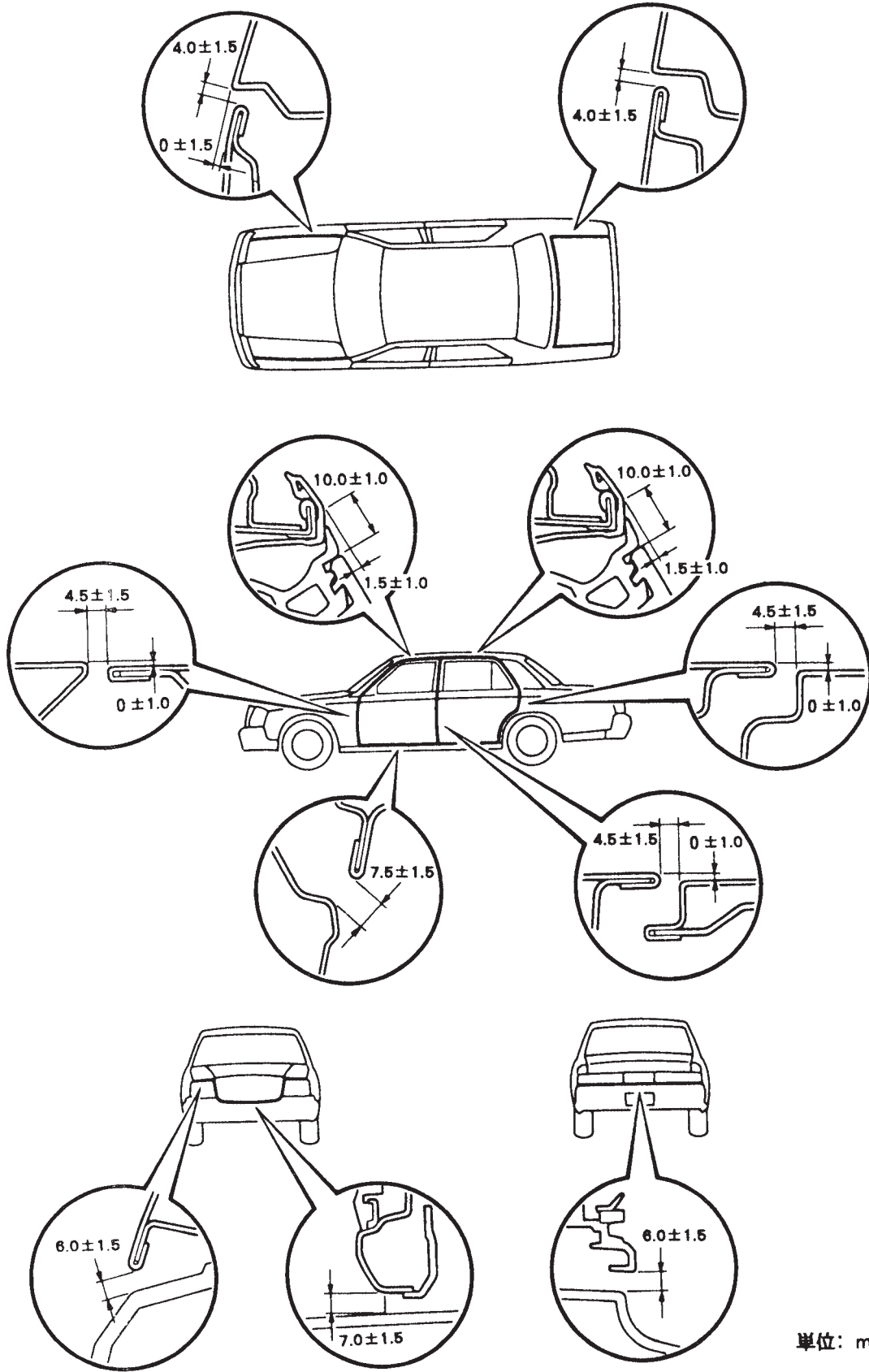


# FIT STANDARDS

After doors and the engine hood are installed, be sure to perform fit adjustment to prevent abnormal wind noise and ensure a good appearance.



mm	in.
1.0	0.039
1.5	0.059
4.0	0.157
4.5	0.177
6.0	0.236
7.0	0.276
7.5	0.295
10.0	0.394

單位: mm