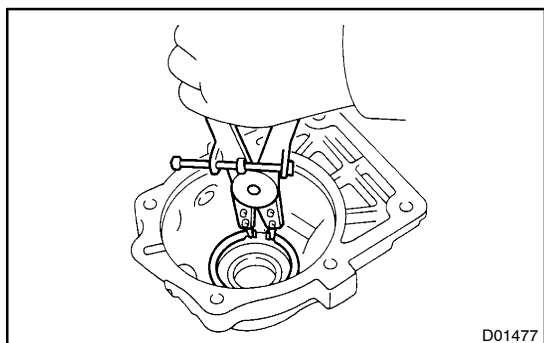


EXTENSION HOUSING DISASSEMBLY

AT0DW-02

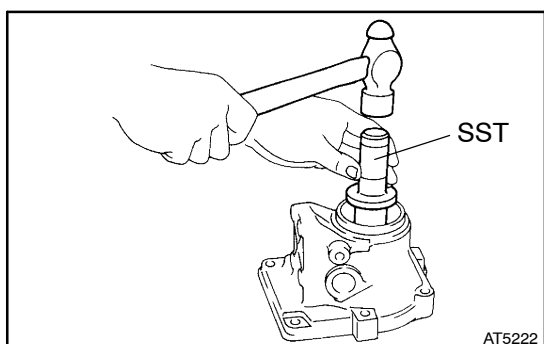
1. REMOVE OIL SEAL FROM EXTENSION HOUSING

Using a screwdriver, remove the oil seal.



2. REMOVE EXTENSION HOUSING BEARING

(a) Using snap ring pliers, remove the snap ring.



(b) Using SST and a hammer, drive out the bearing.
SST 09325-12010