

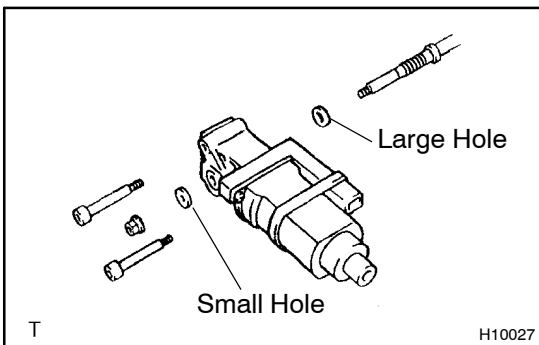
REASSEMBLY

At the time of reassembly, please pay attention to the following item.

1. INSTALL REAR CUSHION COVER AND REAR SEAT-BACK COVER

NOTICE:

- Carefully install the seat cover so as not to dirt or damage it.
- Install hog rings using hog ring pliers.
- Install hog rings in a way to prevent wrinkles as little as possible.



2. INSTALL SLIDE AND VERTICAL MOTORS

Install washers correctly.

HINT:

Install precoated bolts and nuts after cleaning the coated threaded and tightening portions and applying adhesive.

Part No. 08833-00070, THREE BOND 1324 or equivalent