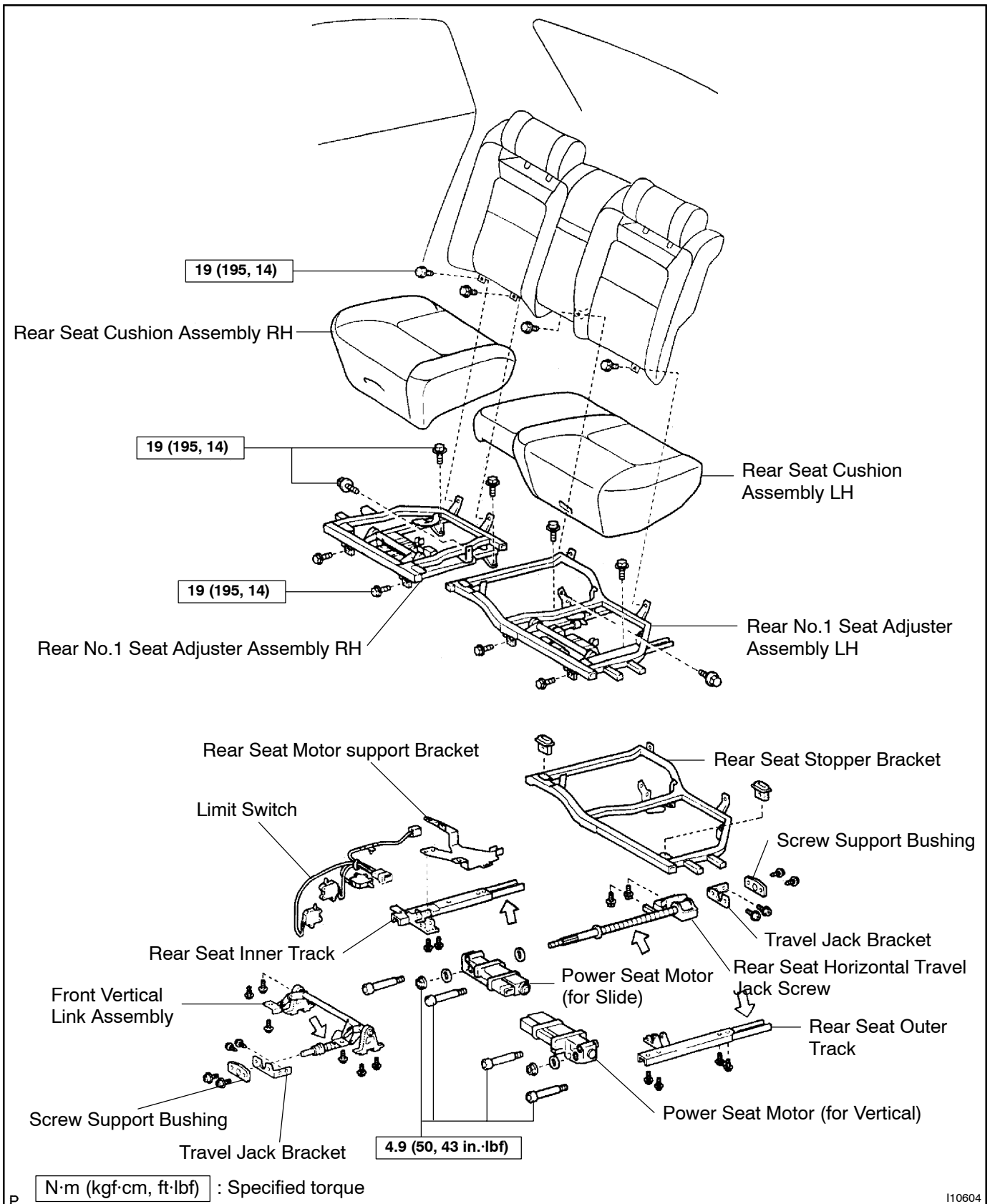
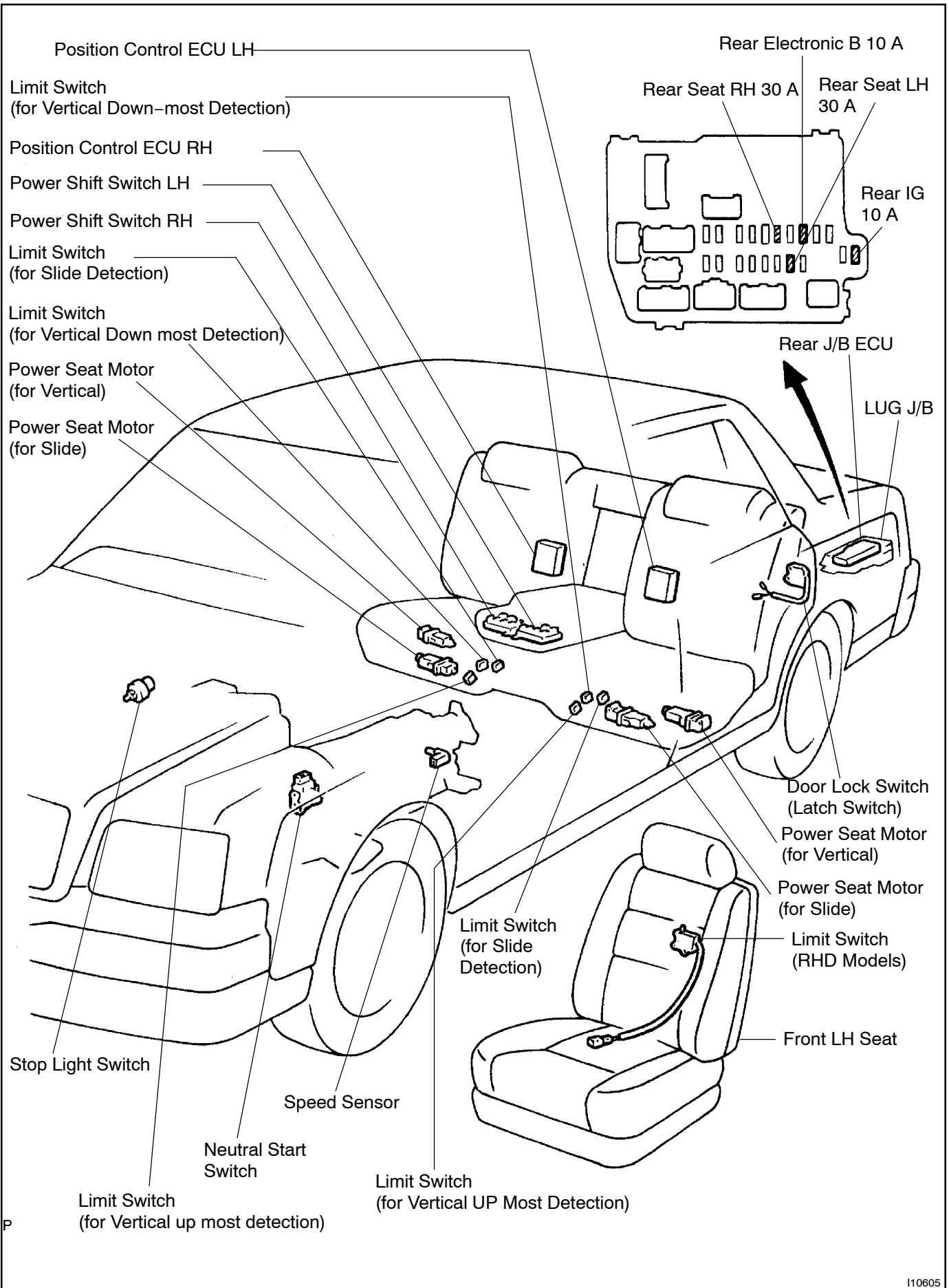


POWER SEAT CONTROL SYSTEM (Rear Seat Slide & Vertical)

LOCATION

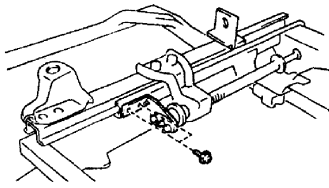
BE152-01



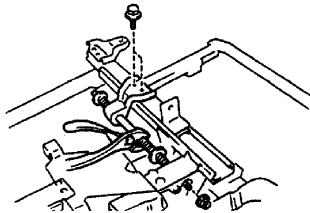


I10605

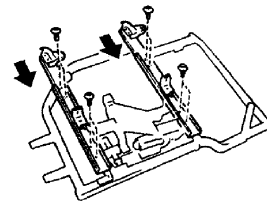
① Screw support bushing (for slide)



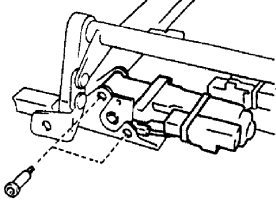
② Rear seat horizontal travel jack screw



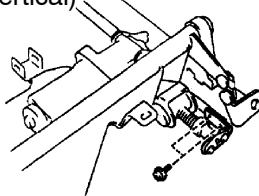
③ Rear seat stopper bracket



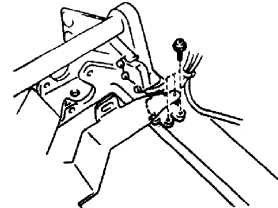
④ Power seat motor (for slide)



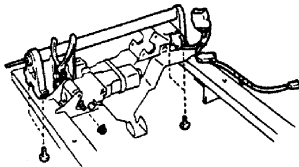
⑤ Screw support bushing (for vertical)



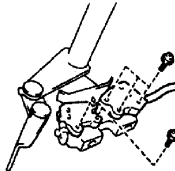
⑥ -1 Front vertical link assembly



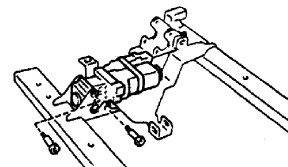
⑥ -2



⑦ Limit switch



⑧ Power seat motor (for vertical)



⑨ Rear seat outer track and rear seat inner track

