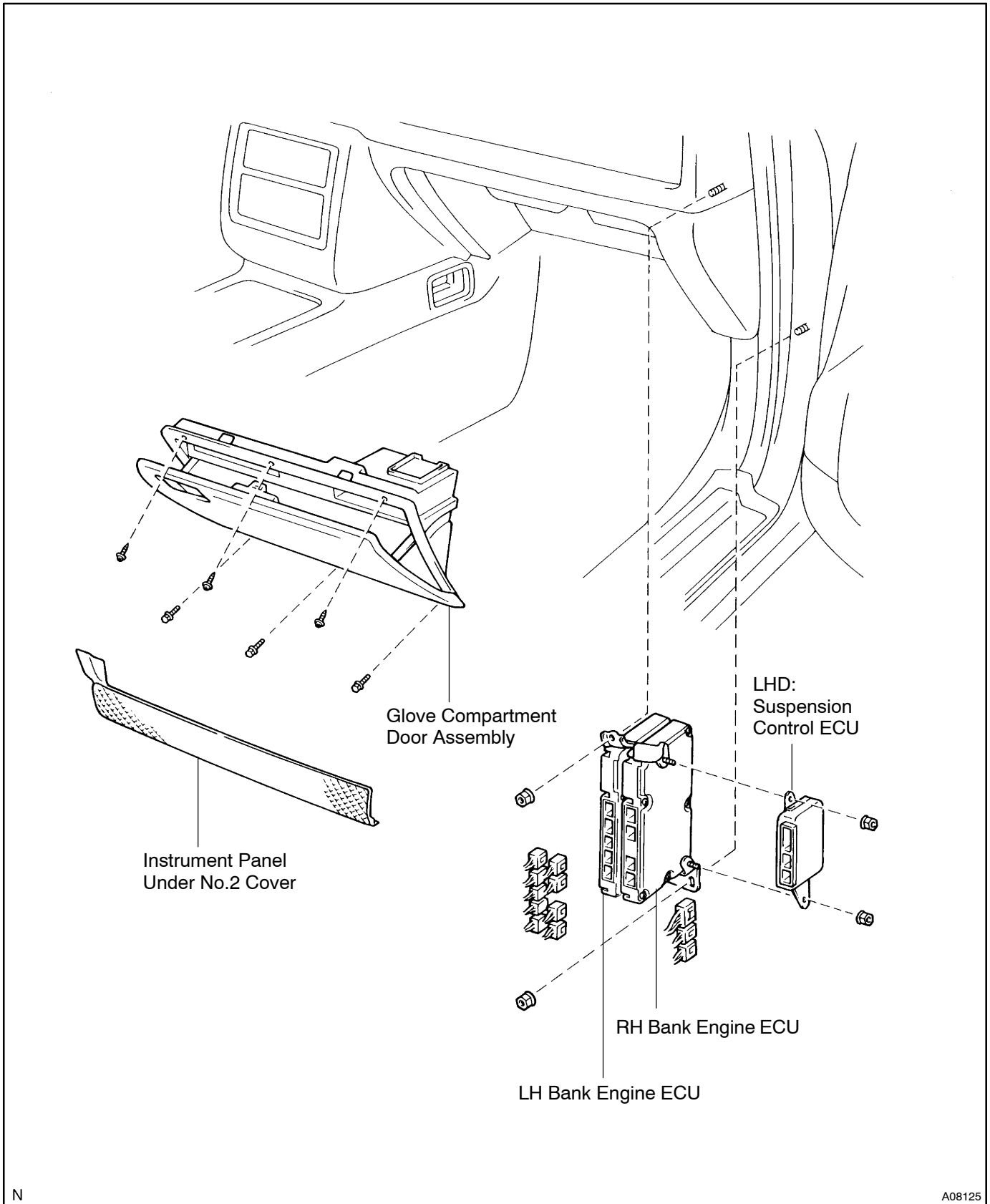


ENGINE ECU COMPONENTS

FIOLK-01



N

A08125