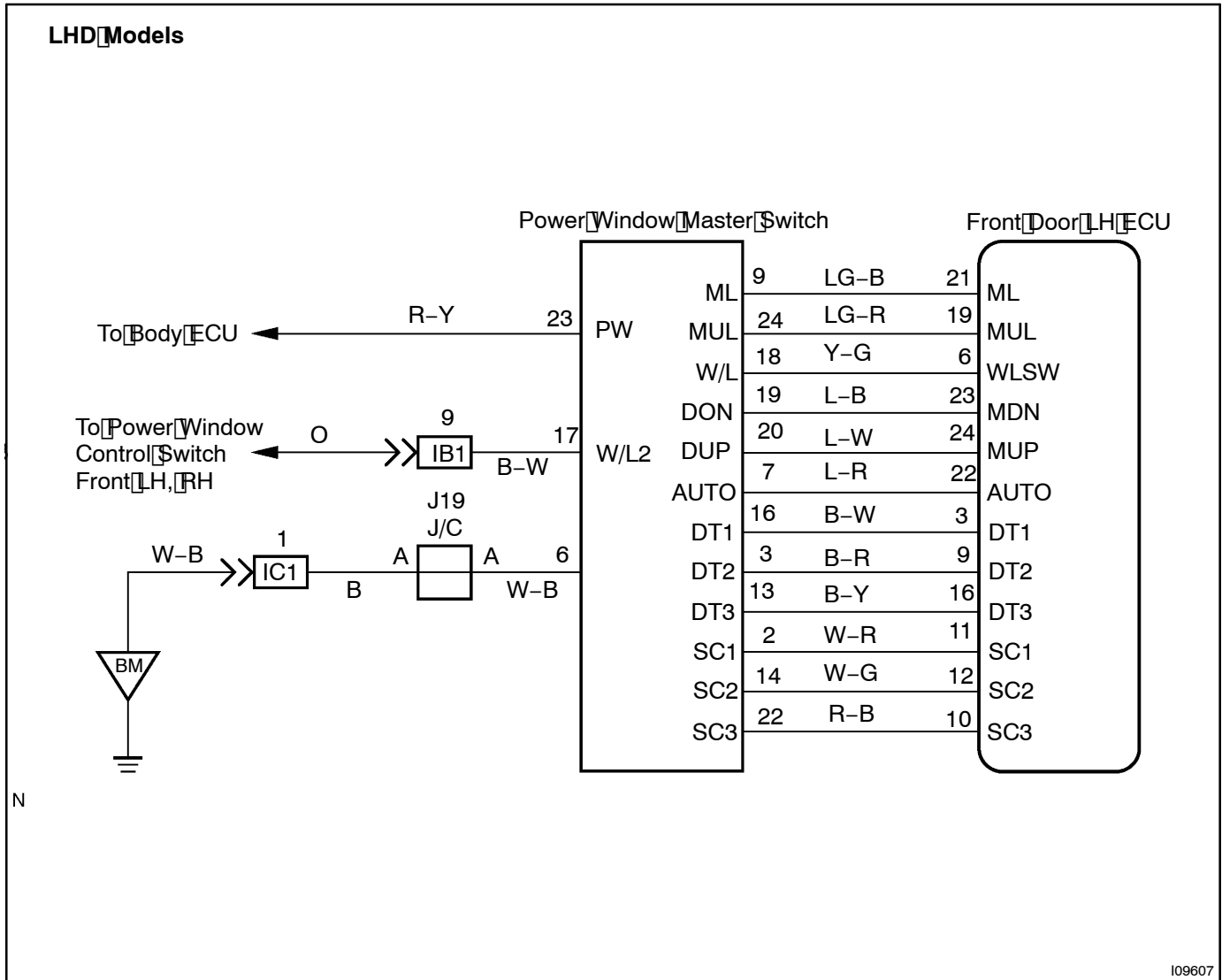


Power window master switch circuit

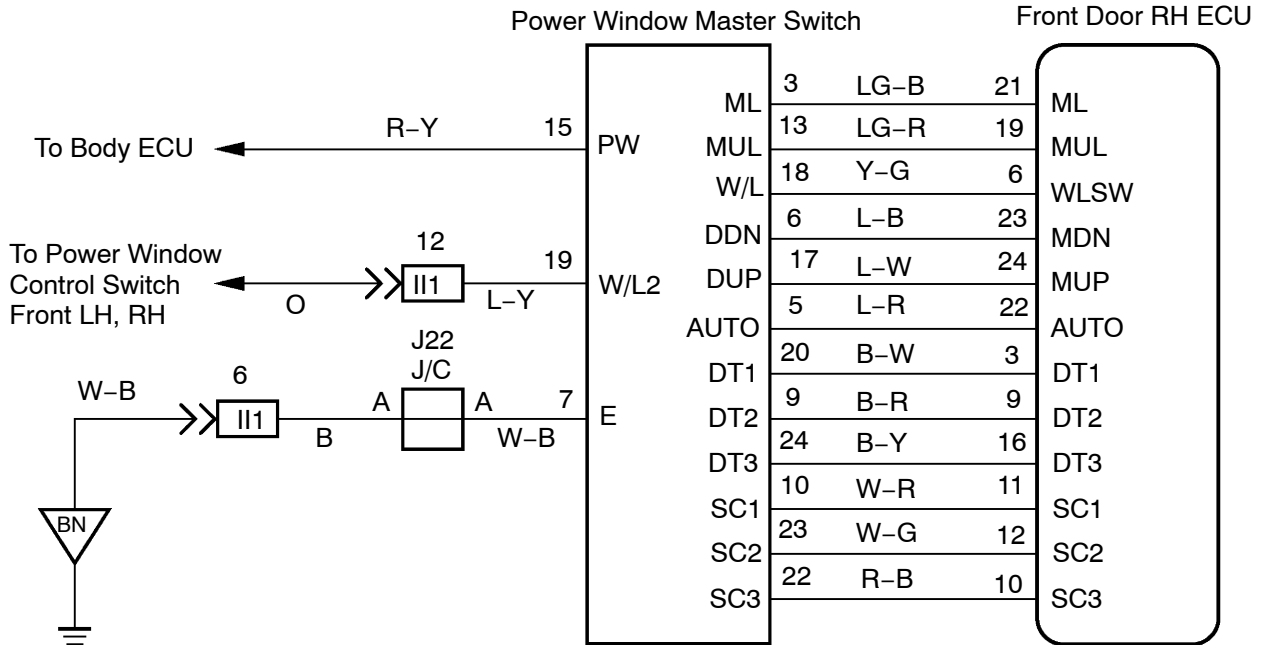
CIRCUIT DESCRIPTION

Power window master switch circuit can be checked using DTC check. (See page DI-733)

WIRING DIAGRAM



RHD Models



N

INSPECTION PROCEDURE

1 Check the power window master switch circuit using DTC check.
(See page DI-733)

OK

Proceed to next circuit inspection shown on problem symptom table
(See page DI-554).

OK

2 Check the power window master switch. (See page BE-87).

NG

Replace the power window master switch.

OK

3 Check wireharness and connector between power window master switch and driver door ECU. (See page IN-30).

NG

Repair or replace wireharness or connector.

OK

Proceed to next circuit inspection shown on problem symptom table
(See page DI-554).