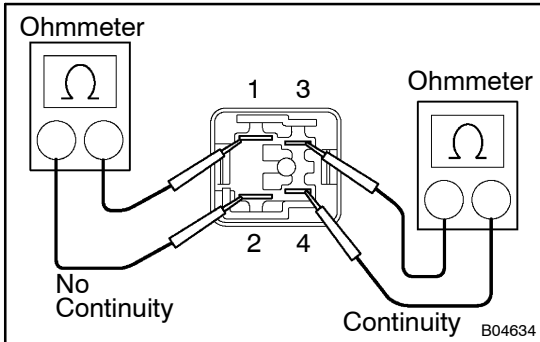


STARTER RELAY INSPECTION

ST0AD-05

1. REMOVE STARTER RELAY

Remove the starter relay from the Engine Room J/B.



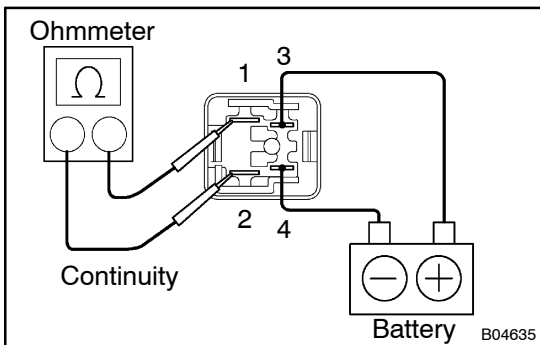
2. INSPECT RELAY CONTINUITY

(a) Using an ohmmeter, check that there is continuity between terminals 3 and 4.

If there is no continuity, replace the relay.

(b) Check that there is no continuity between terminals 1 and 2.

If there is continuity, replace the relay.



3. INSPECT RELAY OPERATION

(a) Apply battery voltage across terminals 3 and 4.

(b) Using an ohmmeter, check that there is continuity between terminals 1 and 2.

If there is no continuity, replace the relay.

4. REINSTALL STARTER RELAY