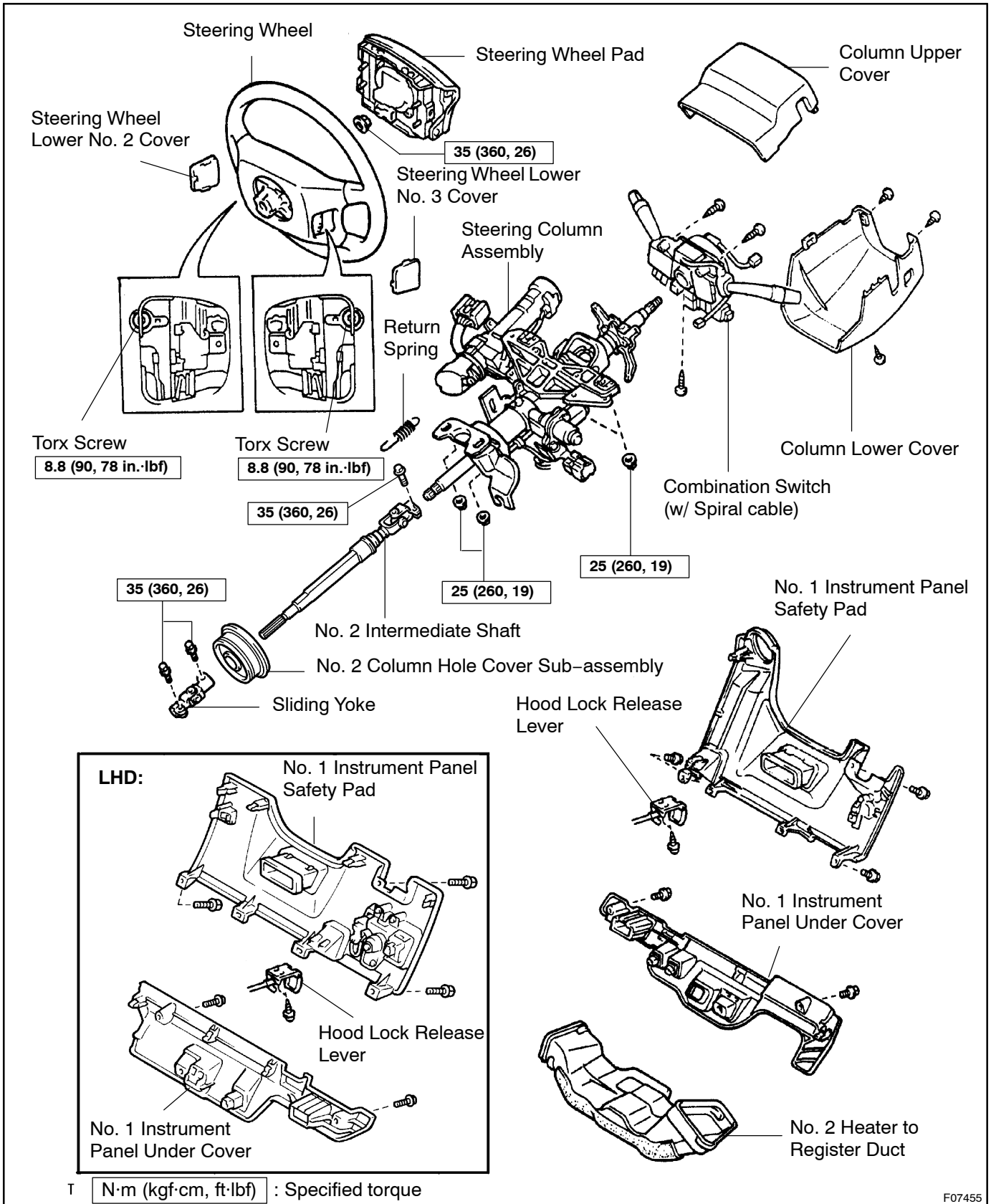
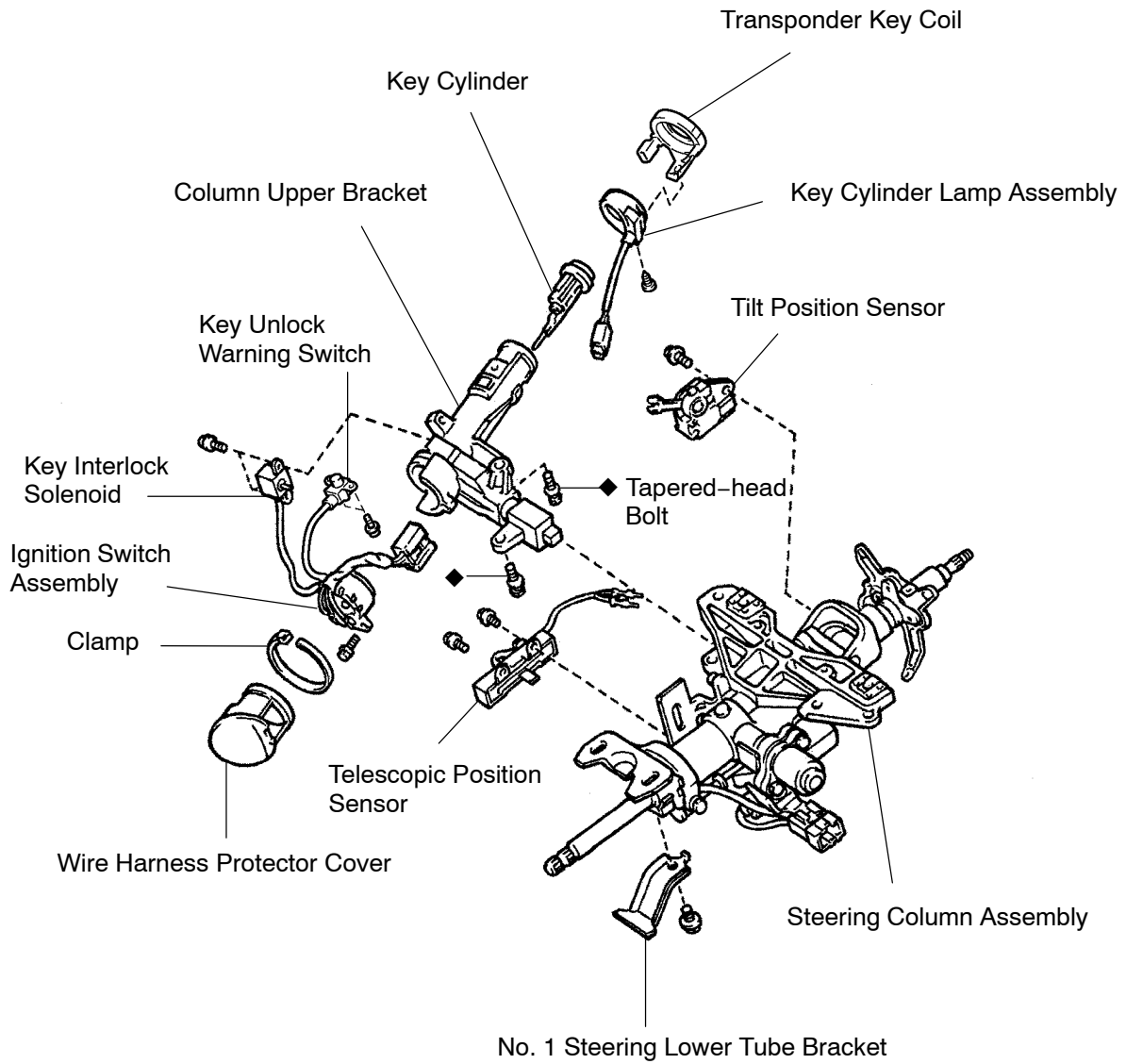


POWER TILT AND POWER TELESCOPIC STEERING COLUMN COMPONENTS

SP0TN-01



F07455



T

◆ Non-reusable part

F07457