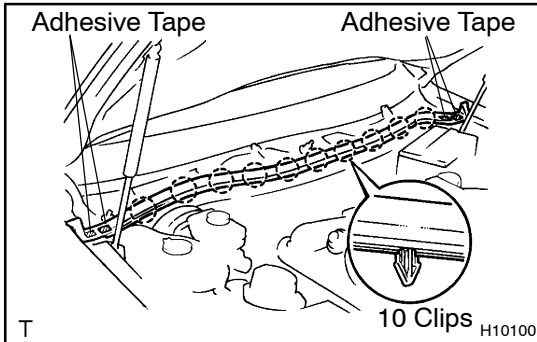


REMOVAL

1. REMOVE WIPER ARMS

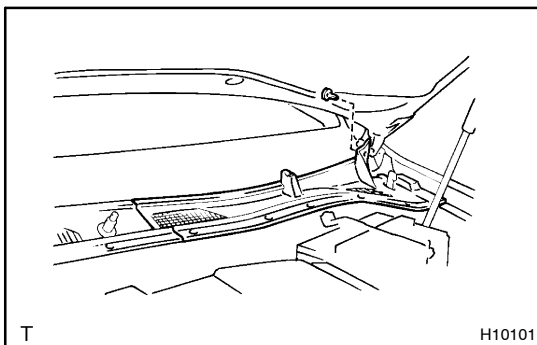


2. REMOVE HOOD TO COWL TOP SEAL

- (a) Manually peel off the edge to separate the adhesive tape of the hood to cowl top seal.
- (b) Using a screwdriver, remove the hood to cowl top seal.

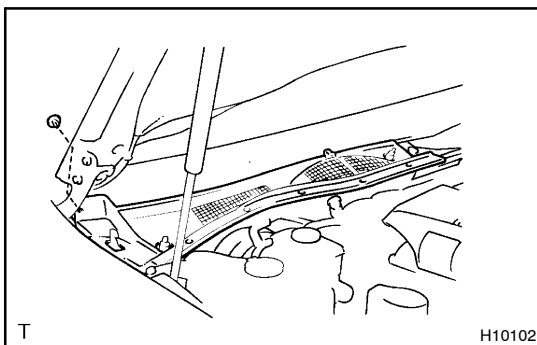
HINT:

Tape the screwdriver tip before use.



3. REMOVE COWL TOP VENTILATOR LOUVER LH

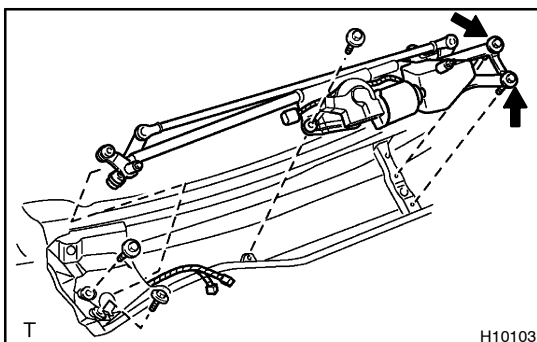
- (a) Remove the clip.
- (b) Lift up the front part of cowl top ventilator louver LH and pull the louver off.



4. REMOVE COWL TOP VENTILATOR LOUVER RH

- (a) Remove the clip.
- (b) Lift up the front part of cowl top ventilator louver RH and pull the louver off.

5. REMOVE WIPER MOTOR COVER

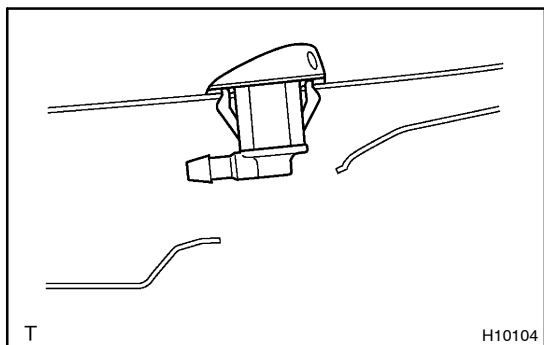


6. REMOVE WIPER MOTOR AND LINK ASSEMBLY

- (a) Disconnect the connectors.
- (b) Remove the 3 bolts.
- (c) Unfasten the 2 bolts and remove the wiper motor and link assembly.

7. REMOVE WIPER MOTOR

- (a) Remove the nut, washer and crank arm assembly.
- (b) Remove the 3 bolts and wiper motor.

**8. REMOVE WASHER NOZZLE**

- (a) Remove the washer nozzle service hole cover.
- (b) Using a screwdriver, remove the washer nozzle.

HINT:

Tape the screwdriver tip before use.

- (c) Disconnect the washer hose.
- (d) Employ the same manner described above to the other side.