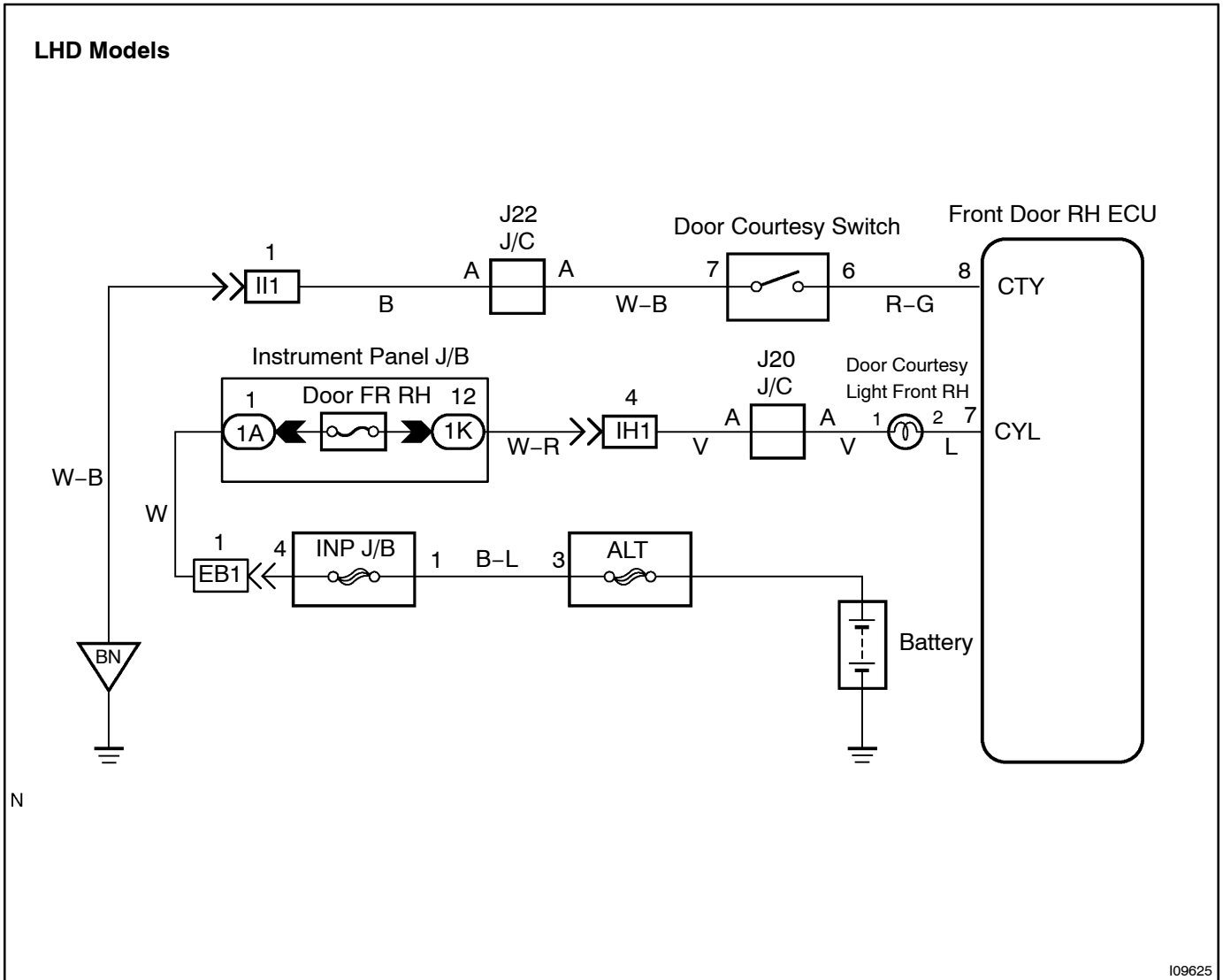


## Door courtesy light and courtesy switch circuit

### CIRCUIT DESCRIPTION

The door courtesy switch goes on when the door is opened and goes off when door is closed.

### WIRING DIAGRAM





**INSPECTION PROCEDURE**

**1** Check operation of door courtesy light.

**CHECK:**

Check that door courtesy light comes on when door opened, and goes off when door is closed.

**OK:**

Must be operated normally.

**OK**

Proceed to next circuit inspection shown on problem symptoms table (See page DI-584).

**NG**

**2** Check courtesy light (See page BE-41).

**NG**

Replace the courtesy light.

**OK**

**3** Check courtesy switch (See page BE-41).

**NG**

Replace the courtesy switch.

**OK**

**4** Check wireharness and connector between courtesy light and passenger door ECU, courtesy switch and passenger door ECU (See page IN-30).

**NG**

Repair or replace wireharness or connector.

**OK**

Proceed to next circuit inspection shown on problem symptoms table (See page DI-584).