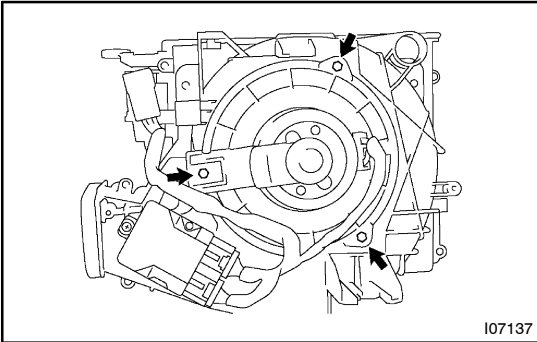


BLOWER MOTOR INSPECTION

1. REMOVE NO. 2 UNDER COVER

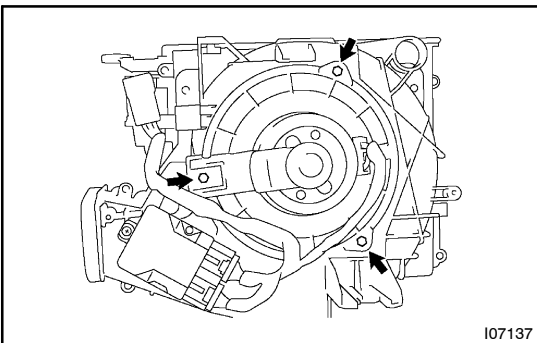


I07137

2. REMOVE BLOWER MOTOR

- (a) Disconnect the connector.
- (b) Remove the 3 screws and blower motor.

3. INSPECT BLOWER MOTOR CIRCUIT (See page DI-844)



I07137

4. INSTALL BLOWER MOTOR

- (a) Install the blower motor with the 3 screws.
- (b) Connect the connector.

5. INSTALL NO. 2 UNDER COVER