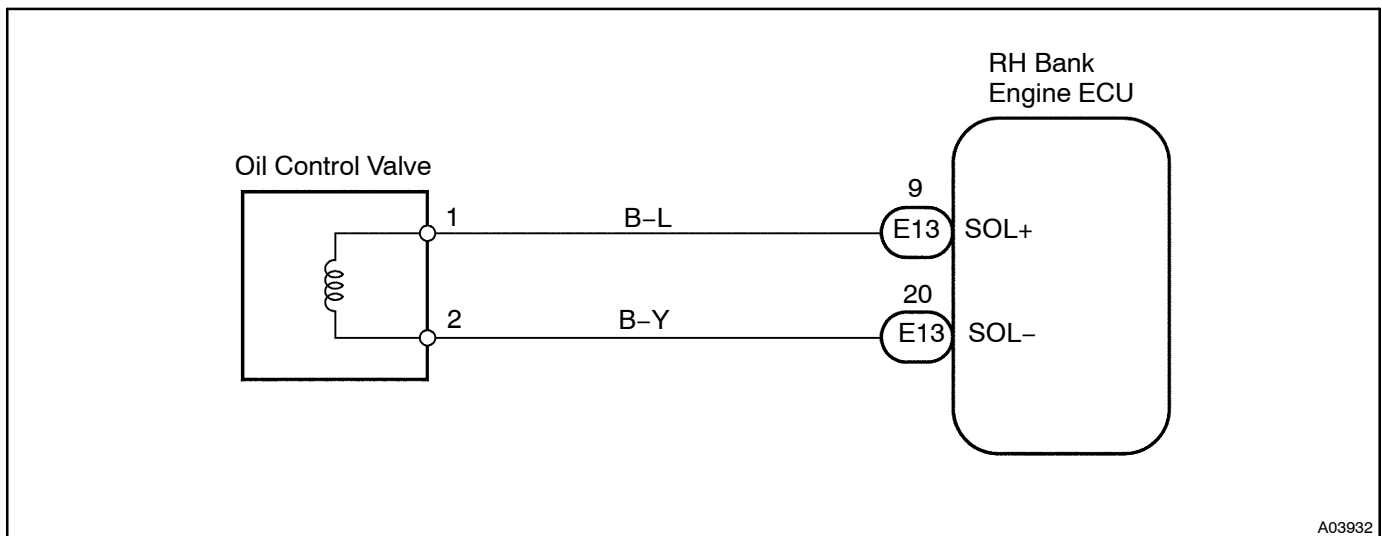


DTC	B1305/57	Hydraulic Gear Motor Solenoid Circuit Malfunction
------------	-----------------	--

CIRCUIT DESCRIPTION

DTC No.	Detection Item	Trouble Area
B1305/57	When the ignition switch is ON, open or short in solenoid circuit for 1 sec. or more.	<ul style="list-style-type: none"> Hydraulic gear motor RH bank engine ECU

WIRING DIAGRAM



A03932

INSPECTION PROCEDURE

1 Check hydraulic gear motor solenoid (See page CO-25).

NG Replace hydraulic gear motor.

OK

2 Check for open and short in harness and connector between hydraulic gear motor solenoid and RH bank engine ECU (See page IN-20).

NG Repair or replace harness or connector.

OK

Check and replace RH bank engine ECU (See page IN-20).