

DISASSEMBLY

1. MOUNT MOTOR HOUSING

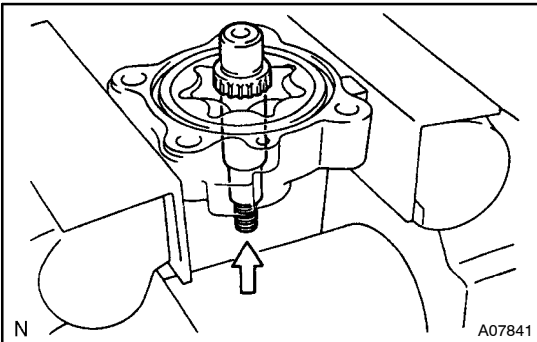
Slightly mount the motor housing in a vise.

NOTICE:

Be careful not to damage the motor housing.

2. REMOVE HYDRAULIC GEAR MOTOR COVER

- (a) Remove the 4 bolts and motor cover.
- (b) Remove the O-ring from the motor housing.



3. REMOVE REAR PLATE WASHER

4. REMOVE DRIVE SHAFT

5. REMOVE DRIVE AND DRIVEN ROTORS

6. REMOVE FRONT PLATE WASHER